

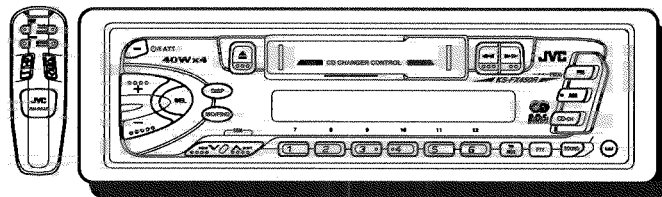
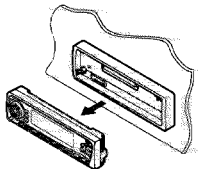
JVC

SERVICE MANUAL

CASSETTE RECEIVER

KS-F350R / KS-F353R KS-FX450R / KS-FX453R

Area Suffix
E ---- Continental Europe




Model	LCD Color	Remote control unit	CD changer controller
KS-F350R	Ivory	—	—
KS-F353R	Amber	—	—
KS-FX450R	Ivory	○	○
KS-FX453R	Amber	○	○

Contents

Safety precaution	1-2	Description of major ICs	2-11
Instructions	1-3~14	Block diagram	2-19
Location of main parts	2-1	Standard schematic diagrams	2-20
Disassembly method	2-2	Printed circuit boards	2-23~24
Adjustment method	2-7	Parts list	3-1~15

Safety precaution

 **CAUTION** Burrs formed during molding may be left over on some parts of the chassis. Therefore, pay attention to such burrs in the case of performing repair of this system.

Instructions



ENGLISH

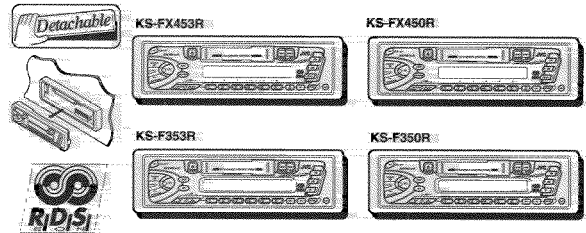
DEUTSCH

FRANCAIS

NEEDERLANDS

CASSETTE RECEIVER
CASSETTEN-RECEIVER
RADIOCASSETTE
RADIO/CASSETTESPELER

KS-FX453R/KS-FX450R
KS-F353R/KS-F350R



For installation and connections, refer to the separate manual.
 Angaben zu Einbau und Verkabelung entnehmen Sie bitte der gesonderten Anleitung.
 Pour l'installation et les raccordements, se référer au manuel séparé.
 Zie de afzonderlijke handleiding voor details aangaande het installeren en verbinden van het toestel.



VICTOR COMPANY OF JAPAN, LIMITED

INSTRUCTIONS
BEDIENUNGSANLEITUNG
MANUEL D'INSTRUCTIONS
GEBRUIKSAANWIJZING

EN, GE, FR, NL

1199MNMMDWJES

FSUN3101-311- [E]

Thank you for purchasing a JVC product. Please read all instructions carefully before operation, to ensure your complete understanding and to obtain the best possible performance from the unit.

CONTENTS

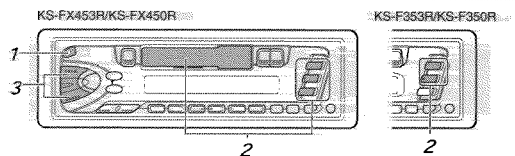
BASIC OPERATIONS	3	
RADIO BASIC OPERATIONS	4	
Listening to the radio.....	4	
Storing stations in memory.....	5	
Tuning into a preset station.....	7	
RDS OPERATIONS	8	
What you can do with RDS EON.....	8	
Other convenient RDS functions and adjustments.....	14	
TAPE OPERATIONS	16	
Listening to a tape.....	16	
SOUND ADJUSTMENTS	17	
Selecting preset sound modes.....	17	
Adjusting the sound.....	18	
Storing your own sound adjustments.....	19	
OTHER MAIN FUNCTIONS	20	
Setting the clock.....	20	
Changing the general settings.....	22	
Detaching the control panel.....	25	
CD CHANGER OPERATIONS	26	
(ONLY FOR KS-FX453R/KS-FX450R).....	26	
Playing CDs.....	26	
Selecting CD playback modes.....	28	
MAINTENANCE	29	
To extend the lifetime of the unit.....	29	
TROUBLESHOOTING	30	
SPECIFICATIONS	31	

Note:
 For security reasons, a numbered ID card is provided with this unit, and the same ID number is imprinted on the unit's chassis. Keep the card in a safe place, as it will help the authorities to identify your unit if stolen.

BEFORE USE

- * For safety...
 * Do not raise the volume level too much, as this...
 * Stop the car before performing any complicated operations...
 * Temperature inside the car...
 * If you have parked the car for a long time in hot...
 * or cold weather, wait until the temperature in the...
 * car becomes normal before operating the unit...

BASIC OPERATIONS



Note:
 When you use this unit for the first time, set the built-in clock correctly, see page 20.

- 1** Turn on the power.

Note on One-Touch Operation:
 • When you select tuner as a source in step 2 below, the power automatically comes on. You do not have to press this button to turn on the power.
 • If the cassette is already in the cassette compartment, tape play starts automatically.
- 2** Play the source.

To operate the tuner, see pages 4 – 15.
 To operate the tape deck, see page 16.
 ONLY FOR KS-FX453R/KS-FX450R:
 To operate the CD changer, see pages 26 – 28.
- 3** Adjust the volume.

* Volume level appears.
- 4** Adjust the sound as you want (see pages 17 – 19).

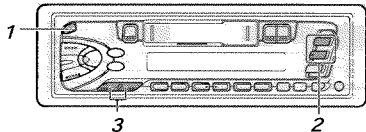
To drop the volume in a moment:
 Press briefly while listening to any source. *ATT* starts flashing on the display, and the volume level will drop in a moment.
 To resume the previous volume level, press the button briefly again.

To turn off the power:
 Press for more than 1 second.

ENGLISH

RADIO BASIC OPERATIONS

Listening to the radio

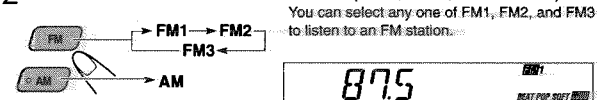


1 Turn on the power.



Note on One-Touch Operation:
When you select a band in step 2 below, the power automatically comes on. You do not have to press this button to turn on the power.

2 Select the band (FM1, FM2, FM3 or AM).

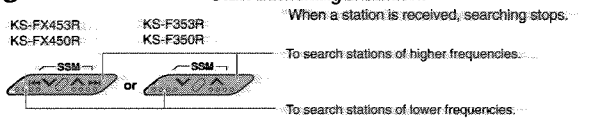


You can select any one of FM1, FM2, and FM3 to listen to an FM station.

Note:

When a cassette is in the cassette compartment, you cannot select the tuner. Be sure to eject the cassette from the cassette compartment to listen to the radio.

3 Start searching a station.



When a station is received, searching stops.

To search stations of higher frequencies...

To search stations of lower frequencies...

To stop searching before a station is received, press the same button you have pressed for searching.

To tune in a particular frequency manually:

- 1 Select the band (FM or AM). Press FM or AM.
- 2 Press and hold \wedge or \vee until "M" starts flashing on the display. Now you can manually change the frequency while "M" is flashing.
- 3 Press \wedge or \vee repeatedly until the frequency you want is reached.
 - If you hold down the button, the frequency keeps changing (in 50 kHz intervals for FM and 9 kHz intervals for AM — MW/LW) until you release the button.

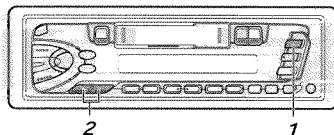
Storing stations in memory

You can use one of the following two methods to store broadcasting stations in memory.

- Automatic preset of FM stations: SSM (Strong-station Sequential Memory)
- Manual preset of both FM and AM stations

FM station automatic preset: SSM

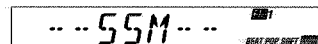
You can preset 6 local FM stations in each FM band (FM1, FM2, and FM3).



1 Select the FM band number (FM1, FM2 or FM3) you want to store FM stations into.



2 Press and hold both buttons for more than 2 seconds.



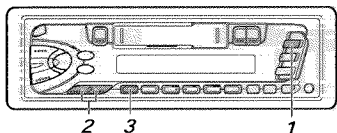
"SSM" appears, then disappears when automatic preset is over.

Local FM stations with the strongest signals are searched and stored automatically in the band number you have selected (FM1, FM2 or FM3). These stations are preset in the number buttons — No. 1 (lowest frequency) to No. 6 (highest frequency).
When automatic preset is over, the station stored in number button 1 will be automatically tuned in.

Manual preset

You can preset up to 6 stations in each band (FM1, FM2, FM3 and AM) manually.

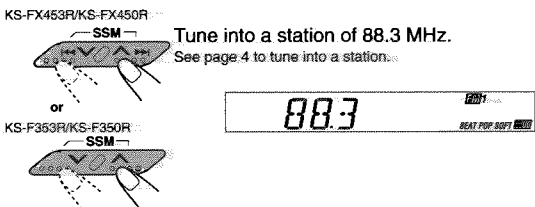
EXAMPLE: Storing an FM station of 88.3 MHz into preset number 1 of the FM1 band.



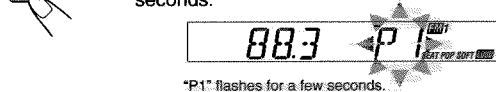
1 Select the FM1 band.



2 Tune into a station of 88.3 MHz. See page 4 to tune into a station.



3 Press and hold the button for more than 2 seconds.



"P1" flashes for a few seconds.

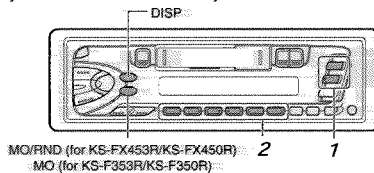
4 Repeat the above procedure to store other stations into other preset numbers.

Notes:

- A previously preset station is erased when a new station is stored in the same preset number.
- Preset stations are erased when the power supply to the memory circuit is interrupted (for example, during battery replacement). If this occurs, preset the stations again.

Tuning into a preset station

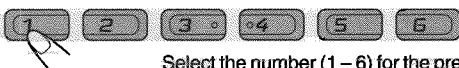
You can easily tune into a preset station. Remember that you must store stations first. If you have not stored them yet, see pages 5 and 6.



1 Select the band (FM1, FM2, FM3 or AM) you want.

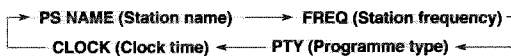


2 Select the number (1 – 6) for the preset station you want.



To change the display information while receiving an FM RDS station:

Press DISP. Each time you press the button, the display changes as follows:



When an FM stereo broadcast is hard to receive:

Press MO/RND (mono/random: for KS-FX453R/KS-FX450R) or MO (mono: for KS-F353R/KS-F350R) while listening to an FM stereo broadcast. The MO (mono) indicator lights up on the display. The sound you hear becomes monaural but reception will be improved.



Lights up when receiving an FM broadcast in stereo.

To restore the stereo effect, press the button again.

RDS OPERATIONS



ENGLISH

What you can do with RDS EON

RDS (Radio Data System) allows FM stations to send an additional signal along with their regular programme signals. For example, the station send their station names, as well as information about what type of programme they broadcast, such as sports or music, etc. Another advantage of RDS function is called "EON (Enhanced Other Networks)". The EON indicator lights up while receiving an FM station with the EON data. By using the EON data sent from a station, you can tune into a different station of a different network broadcasting your favorite programme or traffic announcement while listening to another programme or to another source such as tape.

- By receiving the RDS signals, this unit can do the following:
- Tracing the same programme automatically (Network-Tracking Reception)
 - Standby Reception of TA (Traffic Announcement) or your favorite programme
 - PTY (Programme Type) search
 - TA (Traffic Announcement) search
 - And some other functions

Tracing the same programme automatically (Network-Tracking Reception)

When driving in an area where FM reception is not good, the tuner built in this unit automatically tune in another RDS station, broadcasting the same programme with stronger signals. So, you can continue to listen to the same programme in its finest reception, no matter where you drive. (See the illustration on the next page.)

Two types of the RDS signals are used to make Network-Tracking Reception work correctly — PI (Programme Identification) and AF (Alternative Frequency) data.

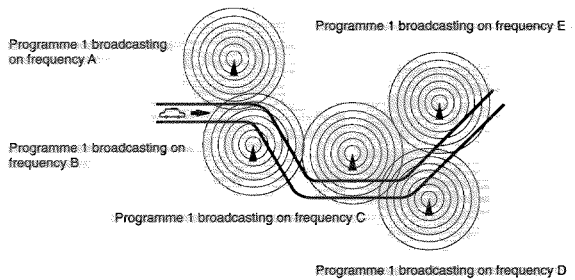
Without receiving these data correctly from the RDS station you are listening to, Network-Tracking Reception will not operate.

KS-FX453R/KS-FX450R
or
KS-F353R/KS-F350R

To use Network-Tracking Reception, press and hold TP/RDS (Traffic Programme/Radio Data System for KS-FX453R/KS-FX450R) or RDS (for KS-F353R/KS-F350R) for more than 1 second. Each time you press and hold the button, Network-Tracking Reception modes change as follows:

Mode 1 → Mode 2 → Mode 3

The same programme can be received on different frequencies.



ENGLISH

Mode 1

The AF indicator lights up but the REG indicator does not. Network-Tracking is activated with Regionalization set to "off." Switches to another station within the same network when the receiving signals from the current station become weak.

Note:

In this mode, the programme may differ from the one currently received.

Mode 2

Both the AF indicator and the REG indicator light up. Network-Tracking is activated with Regionalization set to "on." Switches to another station, within the same network, broadcasting the same programme when the receiving signals from the current station become weak.

Mode 3

Neither the AF indicator nor the REG indicator lights up. Network-Tracking is deactivated.



ENGLISH

Using Standby Reception

Standby Reception allows the unit to switch temporarily to your favorite programme (PTY: Programme Type) and Traffic Announcement (TA) from the current source — another FM station and Tape (or CD: for KS-FX453R/KS-FX450R only).

Note:

Standby Reception will not work if you are listening to an AM station.

TA Standby Reception

KS-FX453R
KS-FX450R
or
KS-F353R
KS-F350R

When you press TP/RDS (for KS-FX453R/KS-FX450R) or TP (for KS-F353R/KS-F350R) while listening to an FM station, the TP indicator is lit during reception of a TP (Traffic Programme) station and the TA standby mode is engaged.

Note: When the station being received is not a TP station, the TP indicator flashes. Press ▲ or ▼ to engage the TA standby mode. "SEARCH" appears on the display, and TP station search starts. When a TP station is tuned in, the TP indicator is lit.

If you are listening to a tape (or CD: for KS-FX453R/KS-FX450R only), and wish to listen to a TP station, press TP/RDS (for KS-FX453R/KS-FX450R) or TP (for KS-F353R/KS-F350R) to enter the TA standby mode. (The TP indicator lights up.)

If a traffic programme starts broadcasting while the TA standby mode is active, "TRAFFIC" appears and the playback source changes to the FM band. The volume increases to the preset TA volume level and the traffic programme can be heard (see page 14).

To deactivate the TA standby mode, press TP/RDS (for KS-FX453R/KS-FX450R) or TP (for KS-F353R/KS-F350R) again.

PTY Standby Reception

When you press PTY while listening to an FM station, the PTY indicator is lit during reception of a PTY station and the PTY standby mode is engaged. The selected PTY name stored on page 12 flashes for 5 seconds.

Note: When the station being received is not a PTY station, the PTY indicator flashes. Press ▲ or ▼ to engage the PTY standby mode. "SEARCH" appears on the display, and PTY station search starts. When a PTY station is tuned in, the PTY indicator is lit.

If you are listening to a tape (or CD: for KS-FX453R/KS-FX450R only), and wish to listen to a selected PTY broadcast, press PTY to enter the PTY standby mode. (The PTY indicator lights up.)

If the selected PTY programme starts broadcasting while the PTY standby mode is active, the selected PTY name appears and the playback source changes to the FM band. The selected PTY programme can then be heard.

To deactivate the PTY standby mode, press PTY again.

Selecting Your Favorite Programme for PTY Standby Reception

You can select your favorite programme for PTY Standby Reception to store in memory. When shipped from the factory, "NEWS" is stored as the programme type for PTY Standby Reception.

- 1 Press and hold SEL (select) for more than 2 seconds to enter the general setting mode (see page 22).
- 2 KS-FX453R/KS-FX450R or KS-F353R/KS-F350R Select "PTY STBY (standby)" if not shown on the display.
- 3 Select one of twenty-nine PTY codes. (See page 15.) Selected code name appears on the display and is stored into memory.
- 4 Finish setting.

Searching Your Favorite Programme

You can search one of your 6 favorite programme types stored in memory. When shipped from the factory, the following 6 programme types have been stored in the number buttons (1 to 6).

To change the factory preset settings, see page 12.

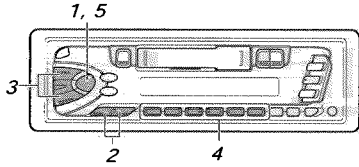
To search your favorite programme, see page 13.

1	2	3	4	5	6
POP M	ROCK M	EASY M	CLASSICS	AFFAIRS	VARIED

ENGLISH

ENGLISH

To store your favorite programme types



1 Press and hold SEL (select) for more than 2 seconds to enter the general setting mode (see page 22).

2 KS-FX453R/KS-FX450R or KS-F353R/KS-F350R Select "PTY SRCH (search)" if not shown on the display.

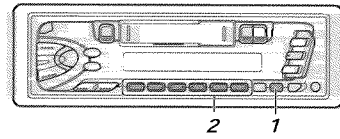
3 Select one of twenty-nine PTY codes. (See page 15.) Selected code name appears on the display.
 • If the code already stored in memory is selected, it will flash on the display.

4 Press and hold the number button for more than 2 seconds to store the PTY code selected into the preset number you want. The selected code name will flash on the display.

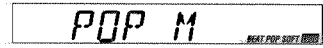
5 Finish setting.



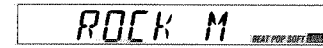
To search your favorite programme type



1 Press and hold PTY (programme type) for more than 1 second while listening to an FM station. The last selected PTY code appears:



2 Select one of PTY codes stored in preset number buttons (1 to 6).



Ex. When "ROCK M" is stored in preset number button 2:

PTY search for your favorite programme starts after 5 seconds.

- If there is a station broadcasting a programme of the same PTY code you selected, that station is tuned in.
- If there is no station broadcasting a programme of the same PTY code you selected, the station will not change.

Note:
 In some areas, the PTY search will not work correctly.

ENGLISH

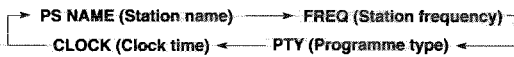
Other convenient RDS functions and adjustments

Changing the display mode while listening to an FM station

You can change the initial indication on the display to station name (PS NAME), station frequency (FREQ), or clock time (CLOCK) while listening to an FM RDS station.
 • See also "Changing the general settings" on page 22.

1. Press and hold SEL (select) for more than 2 seconds to call up the general setting mode.
2. Press ▲ or ▼ to select "DISPMODE (display mode)".
3. Press + or - to set to the desired indication: PS NAME (station name), FREQ (station frequency), or CLOCK (clock time).

Note:
 By pressing DISP, you can also change the display while listening to an FM RDS station. Each time you press the button, the following information appears on the display:



* Then, the display goes back to the original indication in several seconds.

Setting the TA volume level

You can preset the volume level for TA Standby Reception. When a traffic programme is received, the volume level automatically changes to the preset level.
 • See also "Changing the general settings" on page 22.

1. Press and hold SEL (select) for more than 2 seconds to call up the general setting mode.
2. Press ▲ or ▼ to select "TA VOL: (volume)".
3. Press + or - to the desired volume.



Automatic clock adjustment

When shipped from the factory, the clock built in this unit is set to be readjust automatically using the CT (Clock Time) data in the RDS signal.
 If you do not want to use automatic clock adjustment, follow the procedure below:
 • See also "Changing the general settings" on page 22.

1. Press and hold SEL (select) for more than 2 seconds to call up the general setting mode.
2. Press ▲ or ▼ to select "AUTO ADJ (adjust)".
3. Press - to select "ADJ OFF".
 Now automatic clock adjustment is canceled.

To reactivate clock adjustment, repeat the same procedure and select "ADJ ON" in step 3 by pressing the + button.

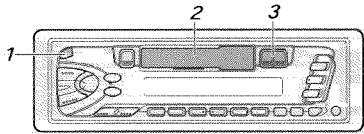
Note:
 It takes about 2 minutes to adjust the time using the CT data. So, you must tune to the station for more than 2 minutes continuously; otherwise, the clock time will not be adjusted.

PTY codes	
NEWS: News	SOCIAL: Programmes on social activities
AFFAIRS: Topical programmes expanding on current news or affairs	RELIGION: Programmes dealing with any aspect of belief or faith, or the nature of existence or ethics
INFO: Programmes which impart advice on a wide variety of topics	PHONE IN: Programmes where people can express their views either by phone or in a public forum
SPORT: Sport events	TRAVEL: Programmes about travel destinations, package tours, and travel ideas and opportunities
EDUCATE: Educational programmes	LEISURE: Programmes concerned with recreational activities such as gardening, cooking, fishing, etc.
DRAMA: Radio plays	JAZZ: Jazz music
CULTURE: Programmes on national or regional culture	COUNTRY: Country music
SCIENCE: Programmes on natural science and technology	NATION M: Current popular music from another nation or region, in that country's language
VARIED: Other programmes like comedies or ceremonies	OLDIES: Classic pop music
POP M: Pop music	FOLK M: Folk music
ROCK M: Rock music	DOCUMENT: Programmes dealing with factual matters, presented in an investigative style
EASY M: Easy-listening music	
LIGHT M: Light music	
CLASSICS: Classical music	
OTHER M: Other music	
WEATHER: Weather information	
FINANCE: Reports on commerce, trading, the Stock Market, etc.	
CHILDREN: Entertainment programmes for children	

ENGLISH

TAPE OPERATIONS

Listening to a tape



- 1 Turn on the power.
- 2 Insert a cassette.
When one side of the tape reaches its end during play, the other side of the tape automatically starts playing. (Auto Reverse)
- 3 Select the tape direction.
• Press both buttons at the same time.
Each time you press both buttons, the tape direction changes; alternatively, forward (TAPE:>) and reverse (TAPE:←).

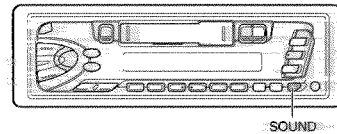
To stop play and eject the cassette
Press .
Tape play stops and the cassette ejects from the cassette compartment. You can hear the last received station (or CD playback from the CD changer; for KS-FX453R/ KS-FX450R).
• You can also eject the cassette with the unit turned off.

To fast-wind a tape
Press either or .
The tape will be wound in the direction of the arrows or .
To restart playback, press or lightly.

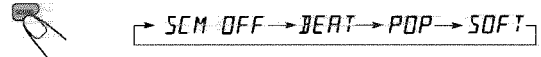
SOUND ADJUSTMENTS

Selecting preset sound modes

You can select a preset sound adjustment suitable to the music genre.



Each time you press SOUND, the sound mode changes as follows.

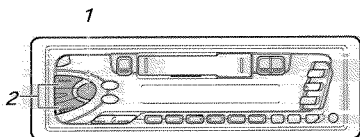


Indication	For:	Preset values		
		Bass	Treble	Loudness
SCM OFF	(Flat sound)	00	00	On
BEAT	Rock or disco music	+2	00	On
POP	Light music	+4	+1	Off
SOFT	Quiet background music	+1	-3	Off

- Notes:**
- You can adjust the preset sound mode to your preference, and store it in memory.
 - If you want to adjust and store your original sound mode, see "Storing your own sound adjustments" on page 19.
 - To adjust only the bass and treble reinforcement levels to your preference, see "Adjusting the sound" on page 18.

Adjusting the sound

You can adjust the sound characteristics to your preference.



- 1 Select the item you want to adjust.
→ BAS → TRE → FAD → BAL → LOUD → VOL

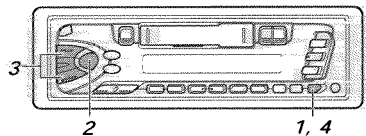
Indication	To do:	Range
BAS (Bass)	Adjust the bass	-6 (min.) — +6 (max.)
TRE (Treble)	Adjust the treble	-6 (min.) — +6 (max.)
FAD (Fader)*	Adjust the front and rear speaker balance	R6 (rear only) — F6 (front only)
BAL (Balance)	Adjust the left and right speaker balance	L6 (left only) — R6 (right only)
LOUD (Loudness)	Boost low and high frequencies to produce a well-balanced sound at low volume level.	ON — OFF
VOL (Volume)	Adjust the volume	00 (min.) — 50 (max.)

Note:
* If you are using a two-speaker system, set the fader level to "00."

- 2 Adjust the level.
Press the + button to turn on the loudness function, and the - button to turn it off.
Note:
Normally the + and - buttons work as the volume control buttons. So you do not have to select "VOL" to adjust the volume level.

Storing your own sound adjustments

You can adjust the sound modes (BEAT, POP, SOFT; see page 17) to your preference and store your own adjustments in memory.



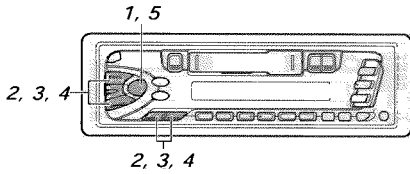
- 1 Call up the sound mode you want to adjust. See page 17 for details.
Within 5 seconds
- 2 Select "BAS", "TRE" or "LOUD."
Within 5 seconds
- 3 Adjust the bass or treble level or turn the loudness function ON/OFF. See page 18 for details.
Within 5 seconds
- 4 Press and hold SOUND until the sound mode you have selected in step 1 flashes on the display. Your setting is stored in memory.
- 5 Repeat the same procedure to store other settings.

To reset to the factory settings
Repeat the same procedure and reassign the preset values listed in the table on page 17.

OTHER MAIN FUNCTIONS

Setting the clock

You can also set the clock system either to 24 hours or 12 hours.



1 Press and hold SEL (select) for more than 2 seconds to enter the general setting mode.

2 **1** Select "CLOCK H (Hour)" if not shown on the display. **2** Adjust the hour.

3 **1** Select "CLOCK M (Minute)." **2** Adjust the minute.

4 **1** Select "24H/12H." **2** Select "24H" or "12H."

5 Start the clock.

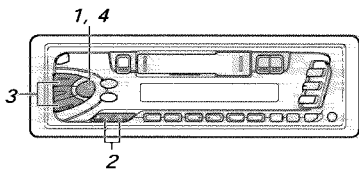
To check the current clock time (changing the display mode) Press DISP repeatedly. Each time you press the button, the display mode changes as follows:

During tuner operation: • For FM RDS stations: See page 14. • For AM and other FM stations: Frequency ← → Clock	During tape operation: Play mode ← → Clock	During CD operation: ONLY FOR KS-FX453R/KS-FX450R Clock → Elapsed playing time → Disc number
--	--	---

Changing the general settings

You can change the items listed on the next page to your preference.

Basic Procedure



1 Press and hold SEL (select) for more than 2 seconds to enter the general setting mode.

2 Select the item you want to adjust. (See page 23.)

3 Select or adjust the item selected above.

4 Finish setting.

1	2	3	4	
			Factory-preset settings	See page
	Select: KS-FX453R/KS-FX450R or KS-F353R/KS-F350R	Set: Back Advance		
CLOCK H	Hour adjustment	Back Advance	0:00	20
CLOCK M	Minute adjustment	Back Advance	24H	20
24H/12H	24/12-hour time display	12H 24H	ADJ ON	15
AUTO ADJ	Automatic setting of the clock	ADJ OFF ADJ ON	ADJ ON	15
DISPMODE	Display mode	PS NAME ← FREQ ↑ CLOCK ↓	PS NAME	14
CH DISP*	Changer display	TIME ↔ DISC	DISC	24
PTY STBY	PTY standby	29 programme types (See page 15.)	NEWS	11
PTY SRCH	PTY search		(See page 11.)	12
TA VOL	Traffic announcement volume	VOL (00-50)	VOL (20)	14
TEL*	Audio mute for cellular phone system	OFF ↔ MUTING 1 ↑ MUTING 2 ↓	OFF	24

* ONLY FOR KS-FX453R/KS-FX450R.

ENGLISH

Selecting the initial CD information display

(ONLY FOR KS-FX453R/KS-FX450R)

You can select what type of the CD playback information to be initially shown on the display when you start playing a CD. When shipped from the factory, the disc number and track number information is selected to be shown.

- DISC: Disc number and track number appear on the display.
- TIME: Elapsed playing time appears on the display.

1. Press and hold SEL (select) for more than 2 seconds to call up the general setting mode.
2. Press $\blacktriangle\blacktriangleright$ or $\blacktriangleleft\blacktriangleright$ to select "CH DISP (changer display)."
3. Press + or - to select the desired mode.

The initial CD information display changes as follows:

TIME \leftrightarrow DISC

To see the other information while playing a CD, press DISP. Each time you press the button, the information changes alternately.

Selecting the telephone muting

This mode is used when a cellular phone system is connected. Depending on the phone system used, select either "MUTING 1" or "MUTING 2," whichever mutes the sounds from this unit. When shipped from the factory, this mode is deactivated.

- MUTING 1: Select this if this setting can mute the sounds.
- MUTING 2: Select this if this setting can mute the sounds.
- OFF: Cancels the telephone muting.

1. Press and hold SEL (select) for more than 2 seconds to call up the general setting mode.
2. Press \blacktriangle or \blacktriangledown to select "TEL (telephone)."
3. Press + or - to select the desired mode.

The telephone muting mode changes as follows:

\blacktriangleright MUTING 1 \leftrightarrow MUTING 2 \leftrightarrow OFF \blacktriangleleft

CD CHANGER OPERATIONS

This section is ONLY FOR KS-FX453R/KS-FX450R, when used with a JVC CD automatic changer (separately purchased).

We recommend that you use one of the CH-X series with your unit.

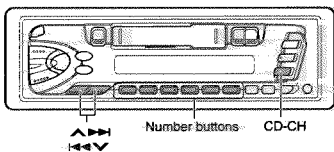
If you have another CD automatic changer, consult your JVC IN-CAR ENTERTAINMENT dealer for connections.

- For example, if your CD automatic changer is one of the KD-MK series, you need a cord (KS-U15K) for connecting it to this unit.

Before operating your CD automatic changer:

- Refer also to the instructions supplied with your CD changer.
- If no discs are in the magazine of the CD changer or the discs are inserted upside down, "NO CD" or "NO DISC" will appear on the display. If this happens, remove the magazine and set the discs correctly.
- If "RESET 1 - RESET 6" appears on the display, something is wrong with the connection between this unit and the CD changer. If this happens, check the connection, connect the connecting cord(s) firmly if necessary, then press the reset button of the CD changer.

Playing CDs



Select the CD automatic changer.

Playback starts from the first track of the first disc. All tracks of all discs are played back.



Note on One-Touch Operation:

When you press CD-CH, the power automatically comes on. You do not have to press $\text{CI}/\text{I/ATT}$ to turn on the power.

ENGLISH

Detaching the control panel

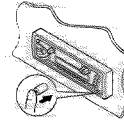
You can detach the control panel when leaving the car.

When detaching or attaching the control panel, be careful not to damage the connectors on the back of the control panel and on the panel holder.

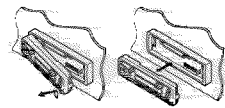
How to detach the control panel

Before detaching the control panel, be sure to turn off the power.

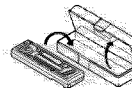
1. Unlock the control panel.



2. Lift and pull the control panel out of the unit.

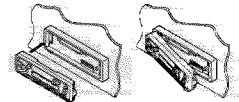


3. Put the detached control panel into the provided case.

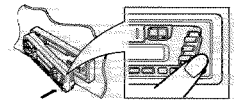


How to attach the control panel

1. Insert the left side of the control panel into the groove on the panel holder.

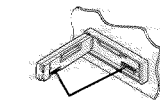


2. Press the right side of the control panel to fix it to the panel holder.



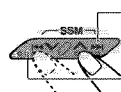
Note on cleaning the connectors:

If you frequently detach the control panel, the connectors will deteriorate. To minimize this possibility, periodically wipe the connectors with a cotton swab or cloth moistened with alcohol, being careful not to damage the connectors.



ENGLISH

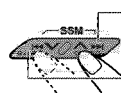
To fast-forward or reverse the track



Press and hold $\blacktriangle\blacktriangleright$, while playing a CD, to fast-forward the track.

Press and hold $\blacktriangleleft\blacktriangleright$, while playing a CD, to reverse the track.

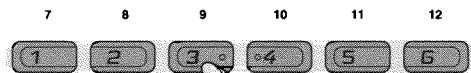
To go to the next tracks or the previous tracks



Press $\blacktriangle\blacktriangleright$ briefly, while playing a CD, to go ahead to the beginning of the next tracks. Each time you press the button consecutively, the beginning of the next tracks is located and played back.

Press $\blacktriangleleft\blacktriangleright$ briefly, while playing a CD, to go back to the beginning of the current tracks. Each time you press the button consecutively, the beginning of the previous tracks is located and played back.

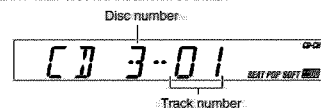
To go to a particular disc directly



Press the number button corresponding to the disc number to start its playback (while the CD changer is playing).

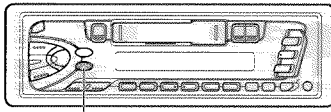
- To select a disc number from 1 - 6: Press 1 (7) - 6 (12) briefly.
- To select a disc number from 7 - 12: Press and hold 1 (7) - 6 (12) for more than 1 second.

Ex. When disc number 3 is selected.





Selecting CD playback modes

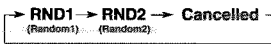


MO/RND

To play back tracks at random (Random Play)



Each time you press MO/RND (mono/random) while playing a CD, CD random play mode changes as follows:



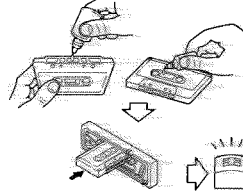
Mode	RND Indicator	Plays at random
RND1	Lights	All tracks of the current disc, then the tracks of the next disc, and so on.
RND2	Flashes	All tracks of all discs inserted in the magazine...

MAINTENANCE ?!

To extend the lifetime of the unit

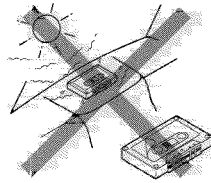
This unit requires very little attention, but you will be able to extend the life of the unit if you follow the instructions below:

To clean the heads



- Clean the heads after every 10 hours of use using a wet-type head cleaning tape (available at an audio store)...
- When the head becomes dirty, you may realize the following symptoms:
 - Sound quality is reduced...
 - Sound level decreases...
 - Sound drops out...
- Do not play dirty or dusty tapes...
- Do not touch the highly-polished head with any metallic or magnetic tools...

To keep the tape clean



- Always store the tapes to their storage cases after use...
- Do not store tapes in the following places:
 - Subject to direct sunlight
 - With high humidity
 - At extremely hot temperatures

CAUTIONS:

- Do not play the tapes with peeling labels; otherwise, they can damage the unit...
- Tighten tapes to remove slack since loose tape may become entangled with the mechanism...
- Do not leave a cassette in the cassette compartment after use, as the tape may become slack...

?! TROUBLESHOOTING

What appears to be trouble is not always serious. Check the following points before calling a service center:

Symptoms	Causes	Remedies
• A cassette tape cannot be inserted.	You have tried to insert a cassette in the wrong way.	Insert the cassette with the exposed tape facing right.
• Cassette tapes become hot.	This is not a malfunction.	_____
• Tape sound is at very low level and sound quality is degraded.	The tape head is dirty.	Clean it with a head cleaning tape.
• Sound is sometimes interrupted.	Connections are not good.	Check the cords and connections.
• Sound cannot be heard from the speakers.	The volume control is turned to the minimum level.	Adjust it to the optimum level.
	Connections are incorrect.	Check the cords and connections.
• SSM (Strong-station Sequential Memory) automatic preset does not work.	Signals are too weak.	Store stations manually.
• Static noise while listening to the radio.	The antenna is not connected firmly.	Connect the antenna firmly.
• "NO CD" or "NO DISC" appears on the display.	No CD is in the magazine.	Insert CDs into the magazine.
	CDs are inserted incorrectly.	Insert them correctly.
• "RESET 8" appears on the display.	This unit is not connected to a CD changer correctly.	Connect this unit and the CD changer correctly and press the reset button of the CD changer.
• "RESET 1 - RESET 7" appears on the display.	_____	Press the reset button of the CD changer.

SPECIFICATIONS

AUDIO AMPLIFIER SECTION

- Maximum Power Output:
 - Front: 40 W per channel
 - Rear: 40 W per channel
- Continuous Power Output (RMS):
 - Front: 16 W per channel into 4 Ω, 40 Hz to 20,000 Hz at no more than 0.8% total harmonic distortion
 - Rear: 16 W per channel into 4 Ω, 40 Hz to 20,000 Hz at no more than 0.8% total harmonic distortion
- Load Impedance: 4 Ω (4 Ω to 8 Ω allowance)
- Tone Control Range:
 - Bass: ±10 dB at 100 Hz
 - Treble: ±10 dB at 10 kHz
- Frequency Response: 40 Hz to 20,000 Hz
- Signal-to-Noise Ratio: 70 dB
- Line-Out Level/Impedance:
 - KS-FX453R/KS-FX450R: 2.0 V/20 kΩ load
 - KS-F353R/KS-F350R: 1.0 V/20 kΩ load

CASSETTE DECK SECTION

- Wow & Flutter: 0.15% (WRMS)
- Fast-Wind Time: 190 sec. (C-60)
- Frequency Response:
 - 50 Hz to 14,000 Hz
- Signal-to-Noise Ratio: 52 dB
- Stereo Separation: 40 dB

GENERAL

- Power Requirement:
 - Operating Voltage: DC 14.4 V (11 V to 16 V allowance)
 - Grounding System: Negative ground
 - Allowable Operating Temperature:
 - 0 °C to +40 °C
 - Dimensions (W × H × D)
 - Installation Size: 182 mm × 52 mm × 150 mm
 - Panel Size: 188 mm × 58 mm × 14 mm
 - Mass: 1.3 kg (excluding accessories)
- Design and specifications subject to change without notice.*

TUNER SECTION

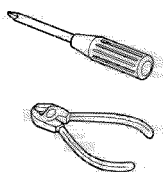
- Frequency Range:
 - FM: 87.5 MHz to 108.0 MHz
 - AM: (MW) 522 kHz to 1,620 kHz
 - (LW) 144 kHz to 279 kHz
- [FM Tuner]
 - Usable Sensitivity: 11.3 dBf (1.0 μV/75 Ω)
 - 50 dB Quieting Sensitivity: 16.3 dBf (1.8 μV/75 Ω)
 - Alternate Channel Selectivity (400 KHz): 65 dB
 - Frequency Response: 40 Hz to 15,000 Hz
 - Stereo Separation: 30 dB
 - Capture Ratio: 1.5 dB
- [MW Tuner]
 - Sensitivity: 20 μV
 - Selectivity: 35 dB
- [LW Tuner]
 - Sensitivity: 50 μV

JVC KS-FX453R/KS-FX450R KS-F353R/KS-F350R

Installation/Connection Manual Einbau/Anschlußanleitung Manuel d'installation/raccordement

FSUN3101-T211
[E]

119NMMDWJES
EN, GE, FR



ENGLISH

This unit is designed to operate on 12 volts DC, NEGATIVE ground electrical systems.

INSTALLATION (IN-DASH MOUNTING)

The following illustration shows a typical installation. However, you should make adjustments corresponding to your specific car. If you have any questions or require information regarding installation kits, consult your JVC IN-CAR ENTERTAINMENT dealer or a company supplying kits.

- 1 Before mounting:** Press **LA** (Control Panel Release button) to detach the control panel.
- 2 Remove the trim plate.**
- 3 Remove the sleeve after disengaging the sleeve locks:**
 - Stand the unit.

Note: When you stand the unit, be careful not to damage the fuse on the rear.

 - Insert the 2 handles between the unit and the sleeve, as illustrated, to disengage the sleeve locks.
 - Remove the sleeve.

Note: Be sure to keep the handles for future use after installing the unit.
- 4 Install the sleeve into the dashboard.**
 - After the sleeve is correctly installed into the dashboard, bend the appropriate tabs to hold the sleeve firmly in place, as illustrated.
- 5 Fix the mounting bolt to the rear of the unit's body and place the rubber cushion over the end of the bolt.**
- 6 Do the required electrical connections.**
- 7 Slide the unit into the sleeve until it is locked.**
- 8 Attach the trim plate so that the projection on the trim plate is fixed to the left side of the unit.**
- 9 Attach the control panel.**

DEUTSCH

Dieses Gerät ist nur für einen Betrieb in elektrischen Anlagen mit 12 V Gleichstrom und (-) Erdung ausgelegt.

EINBAU (IM ARMATURENBRETT)

Die folgende Abbildung zeigt einen typischen Einbau. Dennoch müssen Sie entsprechend Ihrem jeweiligen Auto Anpassungen vornehmen. Bei irgendwelchen Fragen oder wenn Sie Informationen hinsichtlich des Einbausatzes brauchen, wenden Sie sich an Ihren JVC Autoradiohändler oder ein Unternehmen, das diese Einbausätze vertreibt.

- 1 Vor dem Einbau:** **LA** (Schalttafel-Freigabetaste) zum Lösen der Schalttafel drücken.
- 2 Den Zierrahmen herausnehmen.**
- 3 Die Schutzhülle nach dem Entriegeln der Schutzhüllensperren abnehmen:**
 - Das Gerät aufstellen.

Hinweis: Beim Aufstellen des Geräts darauf achten, daß die Sicherung auf der Rückseite nicht beschädigt wird.

 - Die beiden Griffe zwischen dem Gerät und der Schutzhülle wie abgebildet einstecken und die Schutzhüllensperren entriegeln.
 - Die Schutzhülle entfernen.

Hinweis: Sicherstellen, daß die Griffe für künftigen Gebrauch nach dem Einbau des Geräts aufbewahrt werden.
- 4 Die Schutzhülle im Armaturenbrett einbauen:**
 - Nach dem korrekten Einbau der Schutzhülle im Armaturenbrett, die entsprechenden Riegel umknicken, um die Schutzhülle an ihrem Platz zu sichern, siehe Abbildung.
- 5 Die Befestigungsschraube an der Rückseite des Gerätekörpers befestigen und das Ende der Schraube mit einem Gummipuffer abdecken.**
- 6 Nehmen Sie die erforderlichen elektrischen Anschlüsse vor.**
- 7 Das Gerät in die Schutzhülle schieben, bis es einrastet.**
- 8 Befestigen Sie die Zierrahmen in der Form, daß der Fortsatz der Zierrahmen auf der linken Seite des Geräts befestigt wird.**
- 9 Die Schalttafel anbringen.**

FRANÇAIS

Cet appareil est conçu pour fonctionner sur des sources de courant continu de 12 volts à masse NEGATIVE.

INSTALLATION (MONTAGE DANS LE TABLEAU DE BORD)

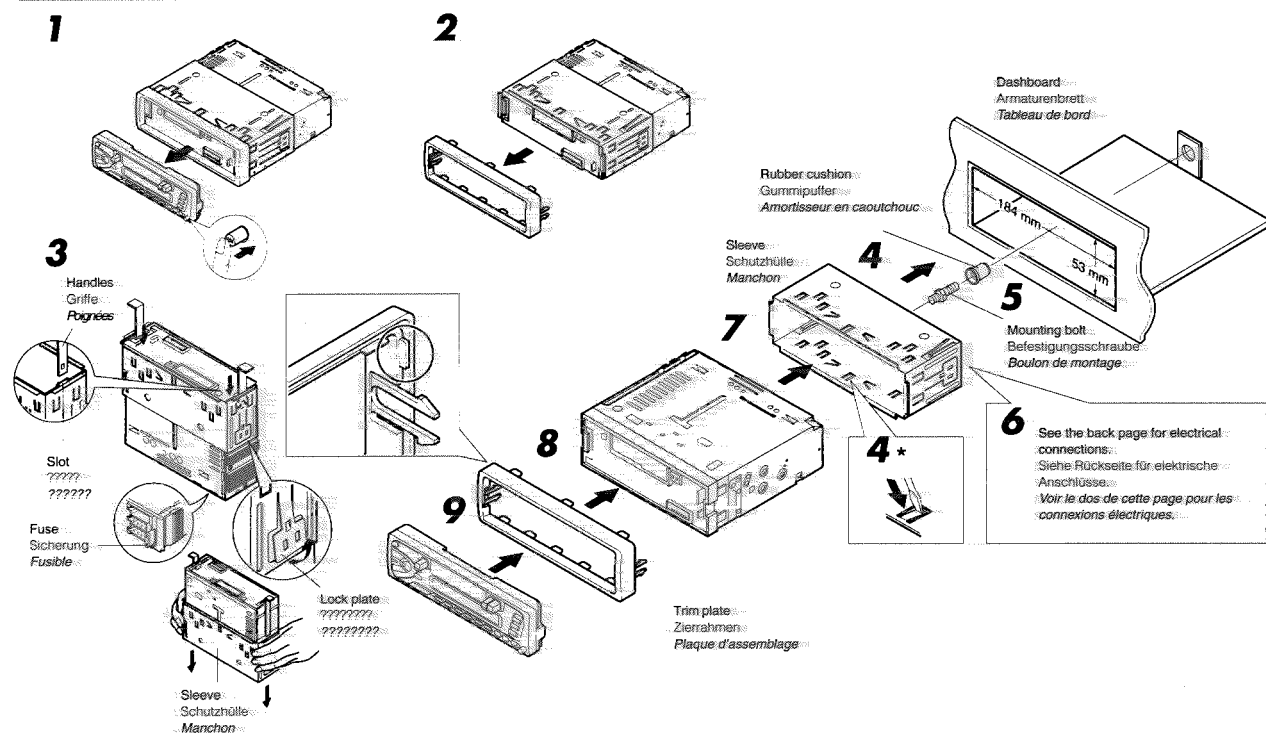
L'illustration suivante est un exemple d'installation typique. Cependant, vous devez faire les ajustements correspondant à votre voiture particulière. Si vous avez des questions ou avez besoin d'information sur des kits d'installation, consulter votre revendeur d'autoradios JVC ou une compagnie d'approvisionnement.

- 1 Avant le montage:** Appuyer sur **LA** (touche de libération du panneau de commande) pour détacher le panneau de commande.
- 2 Retirer la plaque d'assemblage.**
- 3 Libérer les verrous du manchon et retirer le manchon:**
 - Poser l'appareil à la verticale.

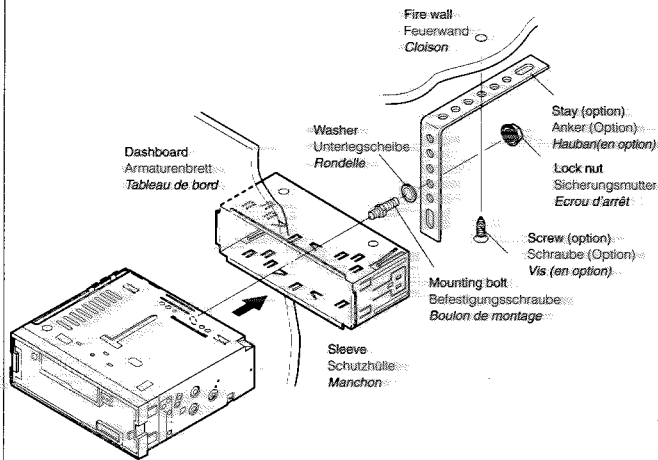
Remarque: Lorsque vous mettez l'appareil à la verticale, faire attention de ne pas endommager le fusible situé sur le fond.

 - Insérer les 2 poignées entre l'appareil et le manchon comme indiqué pour désengager les verrous de manchon.
 - Retirer le manchon.

Remarque: S'assurer de garder les poignées pour une utilisation ultérieure, après l'installation de l'appareil.
- 4 Installer le manchon dans le tableau de bord:**
 - Après installation correcte du manchon dans le tableau de bord, plier les bonnes pattes pour maintenir fermement le manchon en place, comme montré.
- 5 Monter le boulon de montage sur l'arrière du corps de l'appareil puis passer l'amortisseur en caoutchouc sur l'extrémité du boulon.**
- 6 Réaliser les connexions électriques.**
- 7 Faire glisser l'appareil dans le manchon jusqu'à ce qu'il soit verrouillé.**
- 8 Attacher la plaque d'assemblage de façon que la projection de la plaque soit fixée sur le côté gauche de l'appareil.**
- 9 Remonter le panneau de commande.**

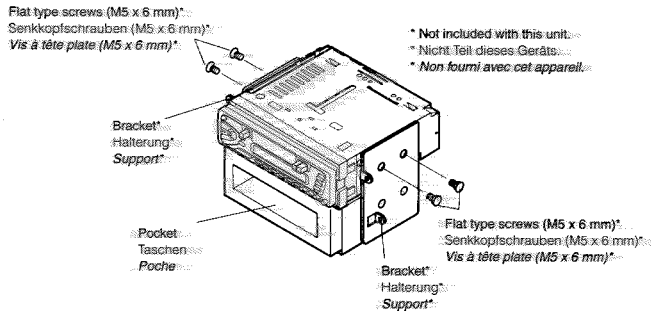


- When using the optional stay
- Beim Verwenden der Anker-Option
- Lors de l'utilisation du hauban en option



- When installing the unit without using the sleeve
- Beim Einbau des Geräts ohne Schutzhülle
- Lors de l'installation de l'appareil sans utiliser de manchon

In a Toyota for example, first remove the car radio and install the unit in its place.
Zum Beispiel in einem Toyota zuerst das Autoradio ausbauen und dann das Gerät an seinem Platz einbauen.
Par exemple dans une Toyota, retirer d'abord l'autoradio et installer l'appareil à la place...



Nota: When installing the unit on the mounting bracket, make sure to use the 6 mm-long screws. If longer screws are used, they could damage the unit.

Hinweis: Beim Anbringen des Gerät an der Halterung sicherstellen, daß 6 mm lange Schrauben verwendet werden. Werden längere Schrauben verwendet, können sie das Gerät beschädigen.

Remarque: Lors de l'installation de l'appareil sur le support de montage, s'assurer d'utiliser des vis d'une longueur de 6 mm. Si des vis plus longues sont utilisées, elles peuvent endommager l'appareil.

Removing the unit

- Before removing the unit, release the rear section.

- 1 Remove the control panel.
- 2 Remove the trim plate.
- 3 Insert the 2 handles into the slots, as shown. Then, while gently pulling the handles away from each other, slide out the unit. (Be sure to keep the handles after installing it.)

Ausbau des Geräts

- Vor dem Ausbau des Geräts den hinteren Teil freigeben.

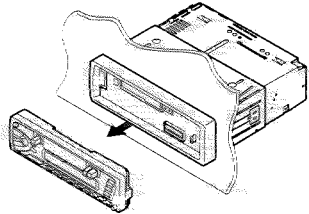
- 1 Die Schalttafel abnehmen.
- 2 Den Zierrahmen abnehmen.
- 3 Die 2 Griffe in die Schlitz wie gezeigt stecken. Dann die Griffe behutsam auseinander ziehen und das Gerät herausziehen. (Die Griffe nach dem Einbau auf jeden Fall aufbewahren.)

Retrait de l'appareil

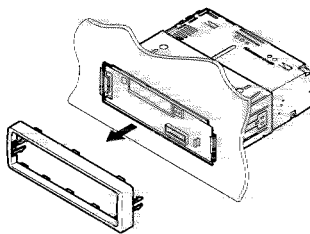
- Avant de retirer l'appareil, libérer la section arrière.

- 1 Retirer le panneau de commande.
- 2 Retirer la plaque d'assemblage.
- 3 Introduire les deux poignées dans les fentes, comme montré. Puis, tout en tirant doucement les poignées écartées, faire glisser l'appareil pour le sortir. (S'assurer de conserver les poignées après l'installation de l'appareil.)

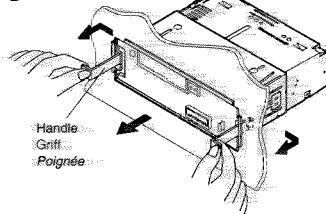
1



2



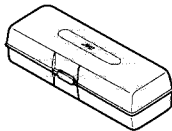
3



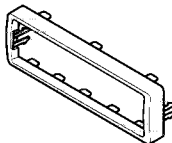
Parts list for installation and connection

The following parts are provided with this unit.
After checking them, please set them correctly.

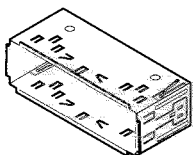
Hard case
Hartgehäuse
Etui de transport



Trim plate
Zierrahmen
Plaque d'assemblage



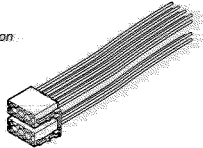
Sleeve
Schutzhülle
Manchon



Teiliste für den Einbau und Anschluß

Die folgenden Teile werden zusammen mit diesem Gerät geliefert.
Nach ihrer Überprüfung, die Teile richtig einsetzen.

Power cord
Netzleitung
Cordon d'alimentation



Handles
Griffe
Poignées



Rubber cushion
Gummipuffer
Amortisseur en caoutchouc



Liste des pièces pour l'installation et raccordement

Les pièces suivantes sont fournies avec cet appareil.
Après vérification, veuillez les placer correctement.

Lock nut (M5)
Sicherungsmutter (M5)
Ecrou d'arrêt (M5)



Mounting bolt (M5 x 20 mm)
Befestigungsschrauben (M5 x 20 mm)
Boulon de montage (M5 x 20 mm)



Washer (ø5)
Unterlegscheibe (ø5)
Rondelle (ø5)



ENGLISH

DEUTSCH

FRANÇAIS

ELECTRICAL CONNECTIONS

ELEKTRISCHE ANSCHLÜSSE

RACCORDEMENTS ELECTRIQUES

To prevent short circuits, we recommend that you disconnect the battery's negative terminal and make all electrical connections before installing the unit. If you are not sure how to install this unit correctly, have it installed by a qualified technician.

Zur Vermeidung von Kurzschlüssen empfehlen wir, daß Sie den negativen Batterieanschluß abtrennen und alle elektrischen Anschlüsse herstellen, bevor das Gerät eingebaut wird. Sind Sie sich über den richtigen Einbau des Geräts nicht sicher, lassen Sie es von einem qualifizierten Techniker einbauen.

Pour éviter tout court-circuit, nous vous recommandons de débrancher la borne négative de la batterie et d'effectuer tous les raccordements électriques avant d'installer l'appareil. Si l'on n'est pas sûr de pouvoir installer correctement cet appareil, le faire installer par un technicien qualifié.

Note:

This unit is designed to operate on 12 volts DC, NEGATIVE ground electrical systems. If your vehicle does not have this system, a voltage inverter is required, which can be purchased at JVC IN-CAR ENTERTAINMENT dealers.

Hinweis: Dieses Gerät ist für den Betrieb in elektrischen Anlagen mit 12 V Gleichstrom und (-) Erdung ausgelegt. Verfügt Ihr Fahrzeug nicht über diese Anlage, ist ein Spannungsinverter erforderlich, der bei JVC-Autoradiohändler erworben werden kann.

Remarque: Cet appareil est conçu pour fonctionner sur des sources de courant continu de 12 volts à masse NEGATIVE. Si votre véhicule n'offre pas ce type d'alimentation, il vous faut un convertisseur de tension, que vous pouvez acheter chez un revendeur d'autoradios JVC.

- Replace the fuse with one of the specified rating. If the fuse blows frequently, consult your JVC IN-CAR ENTERTAINMENT dealer.
- If noise is a problem...

- Die Sicherung mit einer der entsprechenden Nennleistung ersetzen. Brennt die Sicherung häufig durch, wenden Sie sich an Ihren JVC-Autoradiohändler.
- Sind Störgeräusche ein Problem...

- Remplacer le fusible par un de la valeur précisée. Si le fusible saute souvent, consulter votre revendeur d'autoradios JVC.
- Si le bruit est un problème...

This unit incorporates a noise filter in the power circuit. However, with some vehicles, clicking or other unwanted noise may occur. If this happens, connect the unit's rear ground terminal (See connection diagram below) to the car's chassis using shorter and thicker cords, such as copper braiding or gauge wire. If noise still persists, consult your JVC IN-CAR ENTERTAINMENT dealer.

Dieses Gerät enthält ein Störfilter im Stromkreis. Bei manchen Fahrzeugen kann jedoch ein Klicken oder andere unerwünschte Störgeräusche auftreten. Sollte das der Fall sein, die hintere Erdungsanschlusfklammer (siehe Schaltplan unten) des Geräts am Fahrwerk des Fahrzeuges anschließen, dabei kürzere und dickere Kabel wie beispielsweise Kupfergeflecht oder Stahldraht verwenden. Bleibt Störgeräusch bestehen, wenden Sie sich an Ihren JVC-Autoradiohändler.

Cet appareil incorpore un filtre de bruit dans le circuit d'alimentation. Cependant, avec certains véhicules, quelques claquements ou autres bruits non désirés risquent de se produire. Si cela arrive, raccorder la borne de masse arrière de l'appareil au châssis de la voiture (voir le schéma de raccordement ci-dessous) en utilisant des cordons les plus gros et les plus courts possibles telle qu'une barre de cuivre ou une tresse. Si le bruit persiste, consulter votre revendeur d'autoradios JVC.

- Maximum input of the speakers should be more than 40 watts at the rear and 40 watts at the front, with an impedance of 4 to 8 ohms.
- Be sure to ground this unit to the car's chassis.

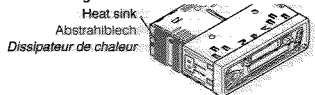
- Maximale Eingangsleistung der Lautsprecher muß höher als 40 W hinten und 40 W vorne sein, mit einer Impedanz von 4 bis 8 Ohm.
- Sicherstellen, daß das Gerät am Fahrwerk geerdet wird.

- La puissance admissible des haut-parleurs doit être supérieure à 40 watts à l'arrière et à 40 watts l'avant, avec une impédance de 4 à 8 ohms.
- S'assurer de raccorder la mise à la masse de cet appareil au châssis de la voiture.

- The heat sink becomes very hot after use. Be careful not to touch it when removing this unit.

- Das Abstrahlblech wird nach dem Gebrauch sehr heiß. Beim Ausbau des Geräts darauf achten, das Abstrahlblech nicht zu berühren.

- Le radiateur devient très chaud après usage. Faire attention de ne pas le toucher en retirant cet appareil.



Typical Connections / Typische Anschlüsse / Raccordements typiques

Before connecting: Check the wiring in the vehicle carefully. Incorrect connection may cause serious damage to this unit.

Vor dem Anschließen: Die Verdrahtung im Fahrzeug sorgfältig überprüfen. Falsche Anschlüsse können ernsthafte Schäden am Gerät hervorrufen.

Avant de commencer la connexion: vérifiez attentivement le câblage du véhicule. Une connexion incorrecte peut endommager sérieusement l'appareil.

1 Connect the colored leads of the power cord to the car battery, speakers and power aerial (if any) in the following sequence:

1 Die farbigen Leitungen des Netzkabels an der Autobatterie, den Lautsprechern und dem Motorantenne (sofern vorhanden) in folgender Reihenfolge anschließen.

1 Connectez les fils de couleur du cordon d'alimentation à la batterie de la voiture, aux enceintes et à l'antenne automatique (s'il y en a une) dans l'ordre suivant.

- 1 Black; ground
- 2 Yellow; to car battery (constant 12V)
- 3 Red; to an accessory terminal
- 4 Others (except blue with white stripe): to speakers
- 5 Blue with white stripe; to power aerial (200mA max.)
- 6 Brown; to cellular phone system (For details, refer to the instructions of the cellular phone.)

- 1 Schwarz; Erdung
- 2 Gelb; an Autobatterie (konstant 12 V)
- 3 Rot; an Zubehörananschlußklammer
- 4 Andere (außer blau mit weißem Streifen); an Lautsprecher
- 5 Blau mit weißem Streifen; an Motorantenne (200mA maximale)
- 6 Braun; an Mobiltelefon (Weitere Informationen entnehmen Sie bitte der Bedienungsanleitung des Mobiltelefons.)

- 1 Noir; a la masse
- 2 Jaune; a la batterie de la voiture (12V constant)
- 3 Rouge; a la prise accessoire
- 4 Autres fils à l'exception du fil bleu à bandes blanches; aux enceintes
- 5 Bleu à bandes blanches; à l'antenne automatique (200mA maximum)
- 6 Marron; à un système de téléphone cellulaire (Pour les détails, se référer aux instructions du téléphone cellulaire.)

2 Connect the antenna cord.

2 Das Antennenkabel anschließen.

2 Connectez le cordon d'antenne.

3 Finally connect the wiring harness to the unit.

3 Die Kabelbäume am Gerät anschließen.

3 Finalement, connectez le faisceau de fils à l'appareil.

Note: If your vehicle does not have any accessory terminal, move the fuse from the fuse position 1 (initial position) to fuse position 2, and connect the red lead (A7) to the positive (+) battery terminal.

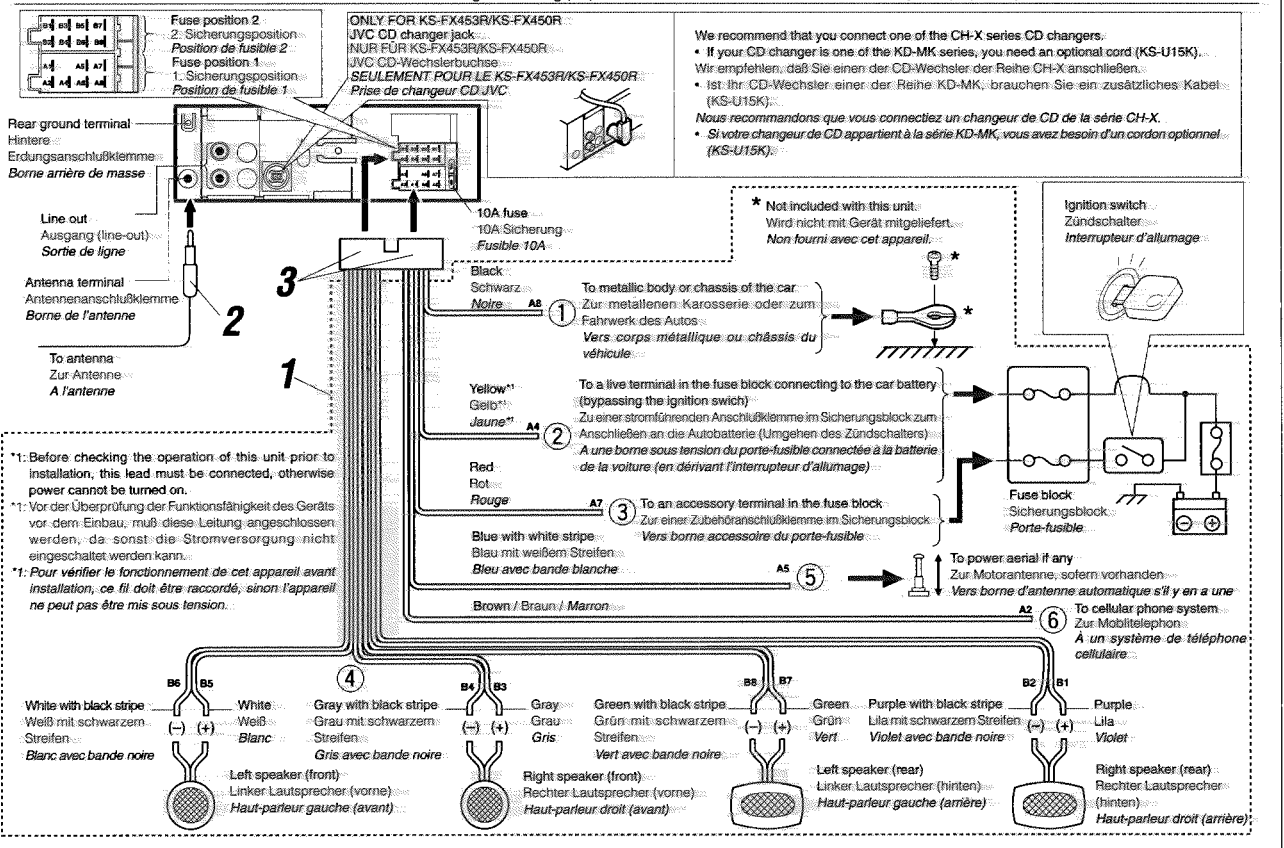
Hinweis: Verfügt Ihr Fahrzeug nicht über eine Zubehörananschlußklammer, die Sicherung von der 1. Sicherungsposition (Erstposition) in die 2. Sicherungsposition versetzen, die rote Leitung (A7) an der (+) Batterieanschlußklammer anschließen.

Remarque: Si votre véhicule ne possède pas de borne accessoire, déplacez le fusible de la position de fusible 1 (position originale) à la position de fusible 2 et connectez le fil rouge (A7) à la borne positive (+) de la batterie.

- The yellow lead (A4) is not used in this case.

- Die gelbe Leitung (A4) wird in diesem Fall nicht verwendet.

- Le fil jaune (A4) n'est pas utilisé dans ce cas.



PRECAUTIONS on power supply and speaker connections:

- DO NOT connect the speaker leads of the power cord to the car battery; otherwise, the unit will be seriously damaged.
- Connect the black lead (ground), yellow lead (to car battery, constant 12V), and red lead (to an accessory terminal) correctly.
- BEFORE connecting the speaker leads of the power cord to the speakers, check the speaker wiring in your car.
 - If the speaker wiring in your car is as illustrated in Fig. 1 and Fig. 2 below, DO NOT connect the unit using that original speaker wiring. If you do, the unit will be seriously damaged. Redo the speaker wiring so that you can connect the unit to the speakers as illustrated in Fig. 3.
 - If the speaker wiring in your car is as illustrated in Fig. 3, you can connect the unit using the original speaker wiring in your car.
 - If you are not sure of the speaker wiring of your car, consult your car dealer.

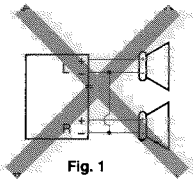


Fig. 1

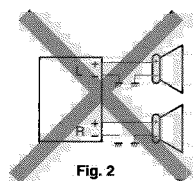


Fig. 2

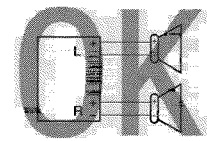


Fig. 3

VORSICHTSMASSREGELN beim Anschließen der Stromversorgung und Lautsprecher:

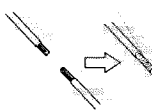
- Die Lautsprecherleitungen des Netzkabels NICHT an der Autobatterie anschließen, da sonst das Gerät schwer beschädigt wird.
- Die schwarze Leitung (Erdung), die gelbe Leitung (zur Autobatterie, konstant 12 V) und die rote Leitung (zur Zubehöranschlussterminal) richtig anschließen.
- VOR dem Anschließen der Lautsprecherleitungen des Netzkabels an die Lautsprecher, die Lautsprecherverdrahtung in Ihrem Auto überprüfen.
 - Ist die Lautsprecherverdrahtung wie unten in "Fig. 1" und "Fig. 2" abgebildet, das Gerät NICHT mit dieser Originalverdrahtung der Lautsprecher anschließen, da sonst das Gerät schwer beschädigt wird. Die Lautsprecherverdrahtung erneuern, so daß Sie das Gerät an den Lautsprechern wie in "Fig. 3" abgebildet anschließen können.
 - Ist die Lautsprecherverdrahtung in Ihrem Auto wie in "Fig. 3" abgebildet, können Sie das Gerät mit dieser Originalverdrahtung der Lautsprecher in Ihrem Auto anschließen.
 - Sind Sie sich über die Lautsprecherverdrahtung in Ihrem Auto nicht sicher, wenden Sie sich an Ihren Autohändler.

PRECAUTIONS sur l'alimentation et la connexion des enceintes:

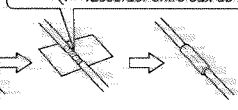
- NE CONNECTEZ PAS les fils d'enceintes du cordon d'alimentation à la batterie; sinon, l'appareil serait sérieusement endommagé.
- Connectez correctement le fil noir (à la masse), le fil jaune (à la batterie de la voiture, 12V constant) et le fil rouge (à la prise accessoire).
- AVANT de connecter les fils d'enceintes du cordon d'alimentation aux enceintes, vérifiez le câblage des enceintes de votre voiture.
 - Si le câblage des enceintes de votre voiture est réalisé comme montré sur la Fig. 1 ou Fig. 2 ci-dessous, NE CONNECTEZ PAS l'appareil en utilisant ce câblage original d'enceintes. Si vous le faites, l'appareil sera sérieusement endommagé.
 - Recommencez le câblage des enceintes de façon que vous puissiez connecter l'appareil aux enceintes comme montré sur la Fig. 3.
 - Si le câblage des enceintes de votre voiture est comme montré sur la Fig. 3, vous pouvez connecter l'appareil en utilisant ce câblage original d'enceintes pour votre voiture.
 - Si vous n'êtes pas sûrs du câblage d'enceintes de votre voiture, consulter le concessionnaire de votre voiture.

Connecting the leads / Anschließen der Leitungen / Raccordement des fils

Twist the core wires when connecting.
Die Kerndrähte beim Anschließen verdrehen.
Torsader les âmes des fils en les raccordant.

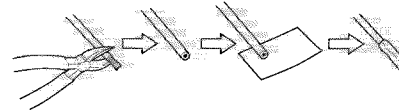


Solder the core wires to connect them securely.
Die Kerndrähte anlöten, um sie fest anzuschließen.
Souder les âmes des fils pour les raccorder entre eux de façon sûre.



CAUTION / VORSICHT / PRECAUTION:

- To prevent short-circuit, cover the terminals of the UNUSED leads with insulating tape.
- Zur Vermeidung eines Kurzschlusses die Anschlußklammern der NICHT VERWENDETEN Leitungen mit Isolierklebeband umwickeln.
- Pour éviter les court-circuits, couvrir les bornes des fils qui ne sont PAS utilisés avec de la bande isolante.



Connections Adding Other Equipment / Anschlüsse zum Hinzufügen von anderer Ausrüstung / Raccordement pour ajouter d'autres appareils

Since this unit has line-out terminals, an amplifier and other equipment can be used to upgrade your car stereo system.

- Connect the remote lead (blue with white stripe) to the remote lead of the other equipment so that it can be controlled through this unit.
- For amplifier only: Connect this unit's line-out terminals to the amplifier's line-in terminals.

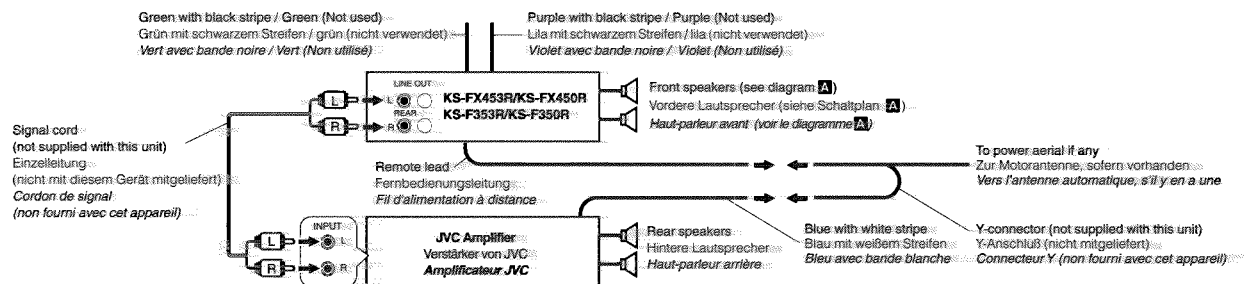
Da dieses Gerät Anschlußklammern am Ausgang (line-out) hat, können ein Verstärker und andere Ausrüstung zur Aufwertung Ihrer Autostereoanlage verwendet werden.

- Schließen Sie das Fernsteuerungskabel der anderen Komponente an, so daß sie über diese Anlage gesteuert werden kann.
- Nur für den Verstärker: Die Anschlußklammern am Ausgang (line-out) dieses Gerät an den Anschlußklammern des Ausgangs (line-out) des Verstärkers anschließen.

Comme cet appareil a des bornes de sortie de ligne, un amplificateur et d'autres appareils peuvent être utilisés pour améliorer votre chaîne stéréo automobile.

- Connecter le fil d'alimentation à distance (bleu avec bande blanche) au fil d'alimentation à distance de l'autre appareil de façon qu'il puisse être contrôlé par cet appareil.
- Pour l'amplificateur seulement: Raccorder les bornes de sortie de ligne de cet appareil aux bornes d'entrée de ligne de l'amplificateur.

Amplifier / Verstärker / Amplificateur



TROUBLESHOOTING

- The fuse blows.
 - Are the red and black leads connected correctly?
- Power cannot be turned on.
 - Is the yellow lead connected?
- No sound from the speakers.
 - Is the speaker output lead short-circuited?
- Sound is distorted.
 - Is the speaker output lead grounded?
 - Are the (-) terminals of L and R speakers grounded in common?
- Unit becomes hot.
 - Is the speaker output lead grounded?
 - Are the (-) terminals of L and R speakers grounded in common?

FEHLERSUCHE

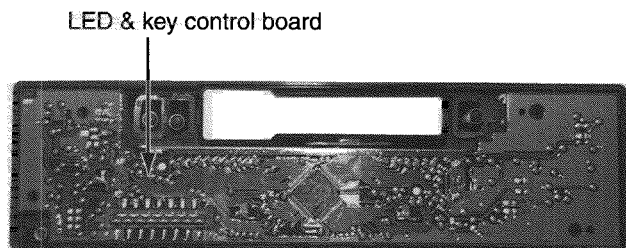
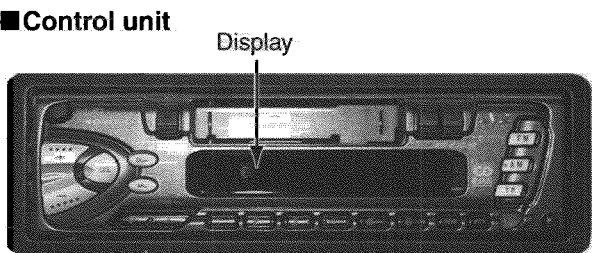
- Die Sicherung brennt durch.
 - Sind die roten und schwarzen Leitungen richtig angeschlossen?
- Stromversorgung kann nicht eingeschaltet werden.
 - Ist die gelbe Leitung angeschlossen?
- Kein Ton aus den Lautsprechern.
 - Ist die LautsprecherAusgangsleitung kurzgeschlossen?
- Ton verzerrt.
 - Ist die LautsprecherAusgangsleitung geerdet?
 - Sind die (-) Anschlußklammern der linken und rechten Lautsprecher zusammen geerdet?
- Gerät wird heiß.
 - Ist die LautsprecherAusgangsleitung geerdet?
 - Sind die (-) Anschlußklammern der linken und rechten Lautsprecher zusammen geerdet?

EN CAS DE DIFFICULTÉS

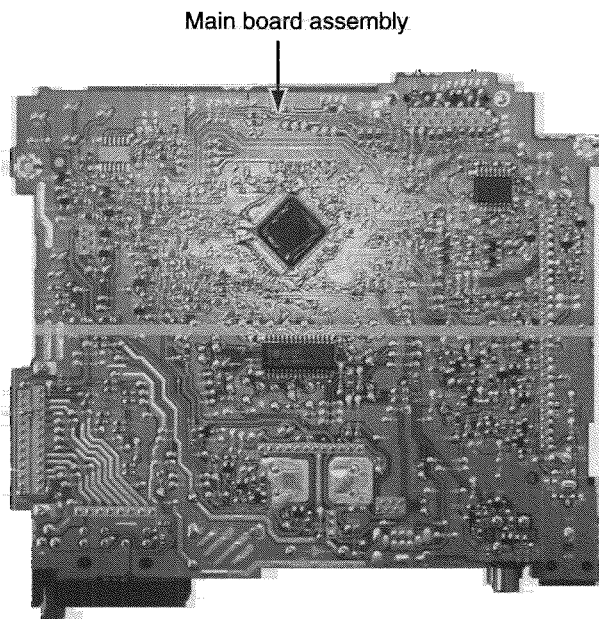
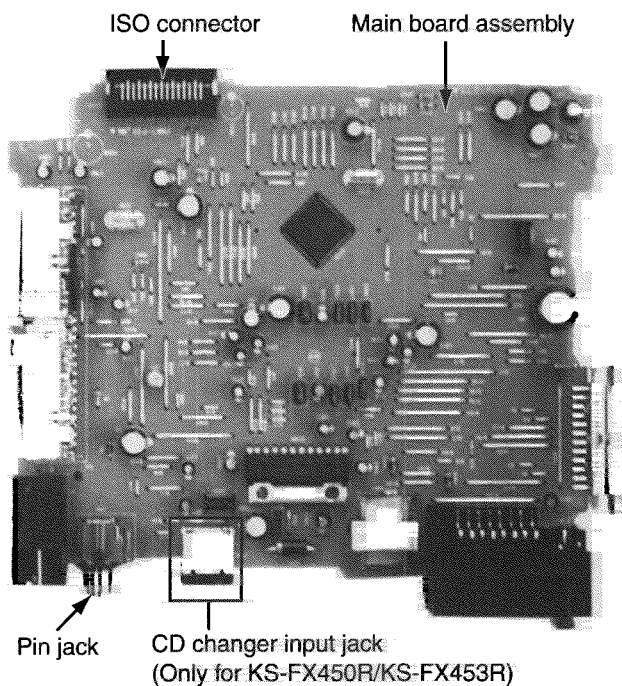
- Le fusible saute.
 - Les fils rouge et noir sont-ils raccordés correctement?
- L'appareil ne peut pas être mise sous tension.
 - Le fil jaune est-elle raccordée?
- Pas de son des haut-parleurs.
 - Le fil de sortie de haut-parleur est-il court-circuité?
- Le son est déformé.
 - Le fil de sortie de haut-parleur est-il à la masse?
 - Les bornes (-) des haut-parleurs gauche et droit sont-elles mises ensemble à la masse?
- L'appareil devient chaud.
 - Le fil de sortie de haut-parleur est-il à la masse?
 - Les bornes (-) des haut-parleurs gauche et droit sont-elles mises ensemble à la masse?

Location of main parts

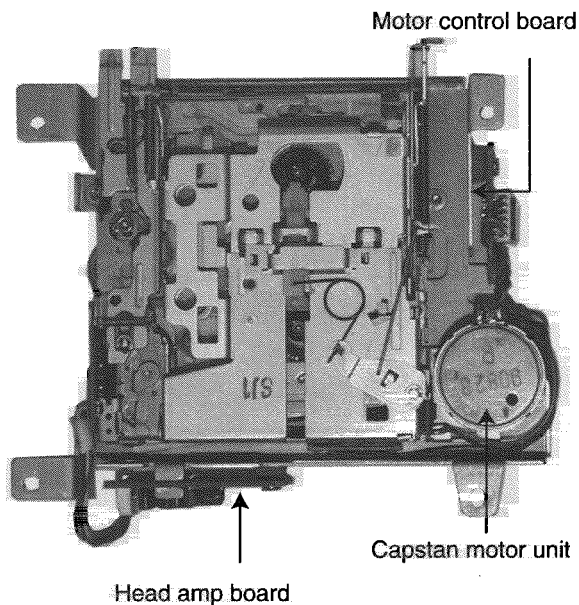
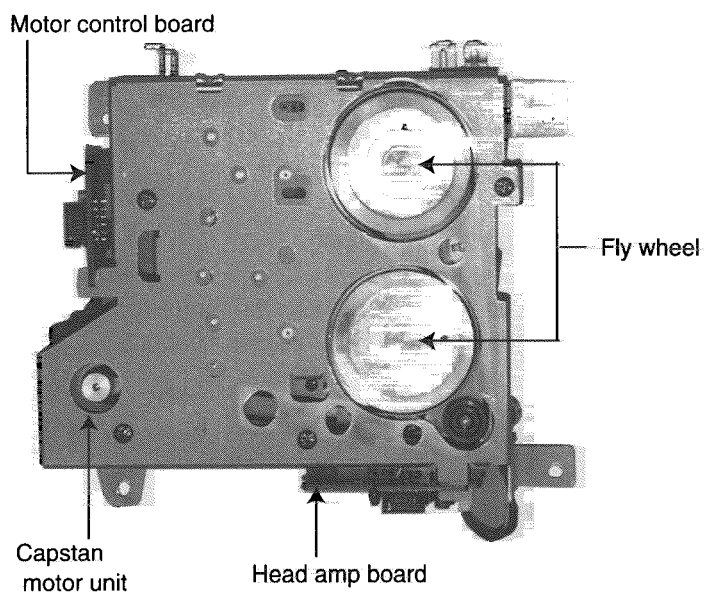
■ Control unit



■ Main unit



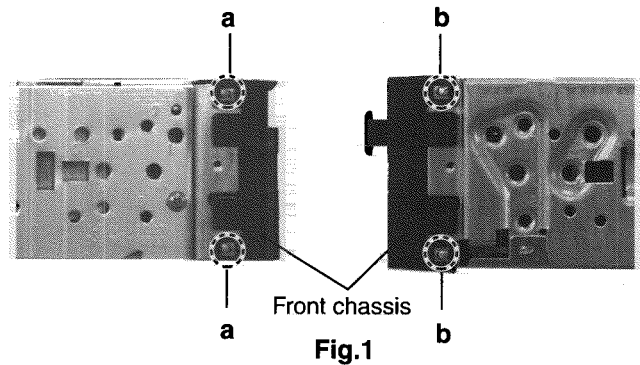
■ Cassette mechanism



Disassembly method

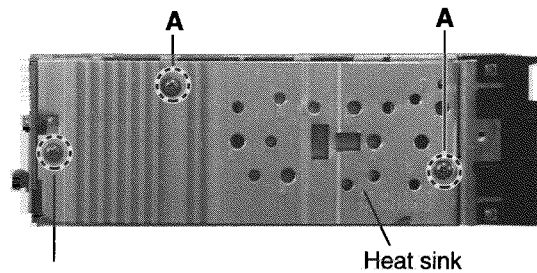
■ Removing the front chassis (See Fig.1)

1. Insert a screwdriver to the joints **a** on the side of the front chassis and two joints **b** on the right side, then detach the front chassis toward the front side.



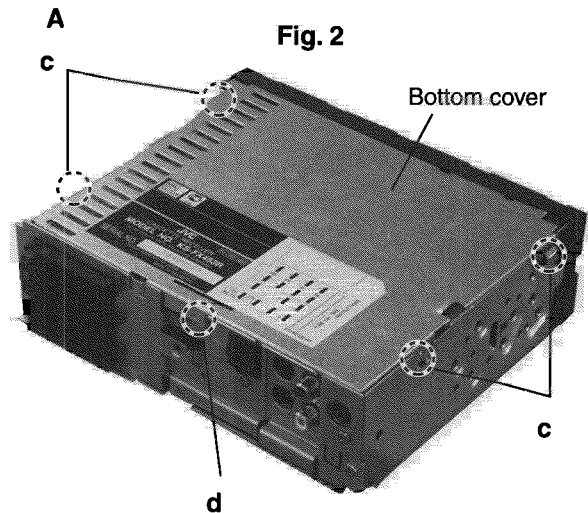
■ Removing the heat sink (See Fig.2)

1. Remove the three screws **A** attaching the heat sink on the left side of the body, and remove the heat sink.



■ Removing the bottom cover (See Fig.3)

1. Removing the front chassis.
2. Removing the heat sink.
3. Turn the body upside down.
4. Insert a screwdriver to the two joints **c** on both sides of the body and the joint **d** on the back of the body, then detach the bottom cover from the body.



■ Removing the rear panel (See Fig.4 and 5)

1. Remove the front chassis.
2. Remove the heat sink.
3. Remove the bottom cover.

[KS-F350R / KS-F353R]

4. Remove the three screws **B** attaching the rear panel and one screws **C** attaching the pine jack on the back of the body.

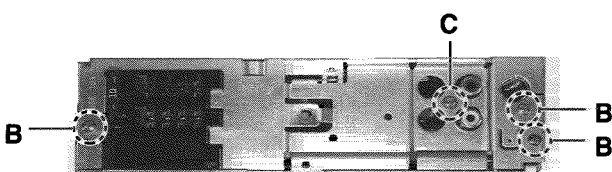


Fig. 4
[KS-F350R / KS-F353R]

[KS-FX450R / KS-FX453R]

4. Remove the Fore screws **B'** attaching the rear panel, one screw **C'** attaching the pin jack and one screw **D** attaching the CD changer input jack.

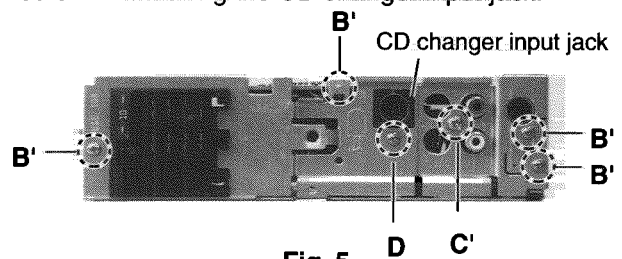


Fig. 5
[KS-FX450R / KS-FX453R]

■ Removing the main amplifier board assembly
(See Fig.6)

1. Remove the front chassis.
2. Remove the bottom cover.
3. Remove the rear pan.
4. Remove the two screws **E** attaching the main amplifier board assembly on the top cover.
5. Disconnect connector CN901 and CN902 on the main amplifier board assembly from the cassette mechanism assembly.

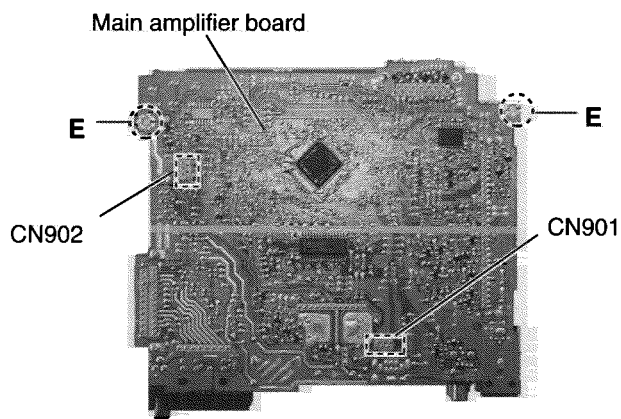


Fig.6

■ Removing the cassette mechanism assembly
(See Fig.7)

1. Remove the front chassis.
2. Remove the bottom cover.
3. Remove the main amplifier board assembly.
4. Remove the four screws **F** attaching the cassette mechanism assembly from the top cover.

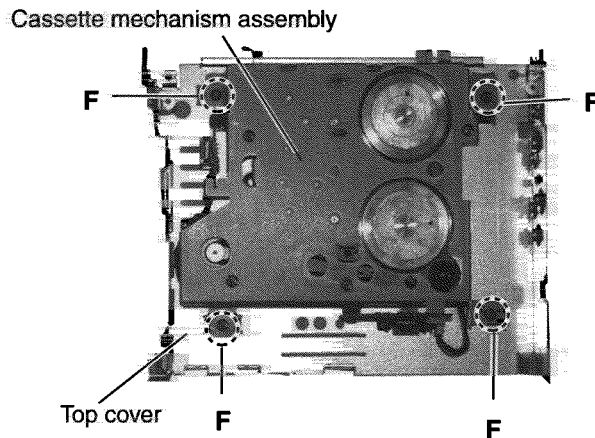


Fig.7

■ Removing the LCD & key control board
(See Fig.8 and 9)

1. Remove the front panel unit from the main body.
2. Remove the four screws **G** attaching the rear cover on the back of the front panel unit.
3. Remove the control switch board from the front panel unit.

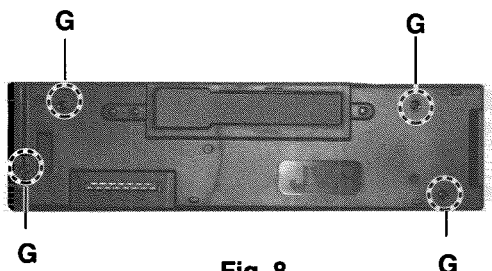


Fig.8

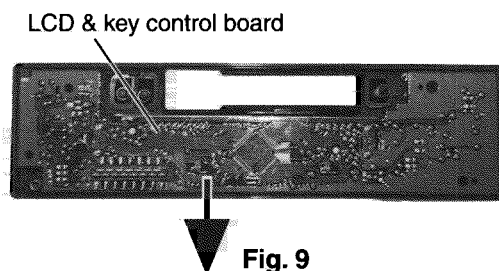
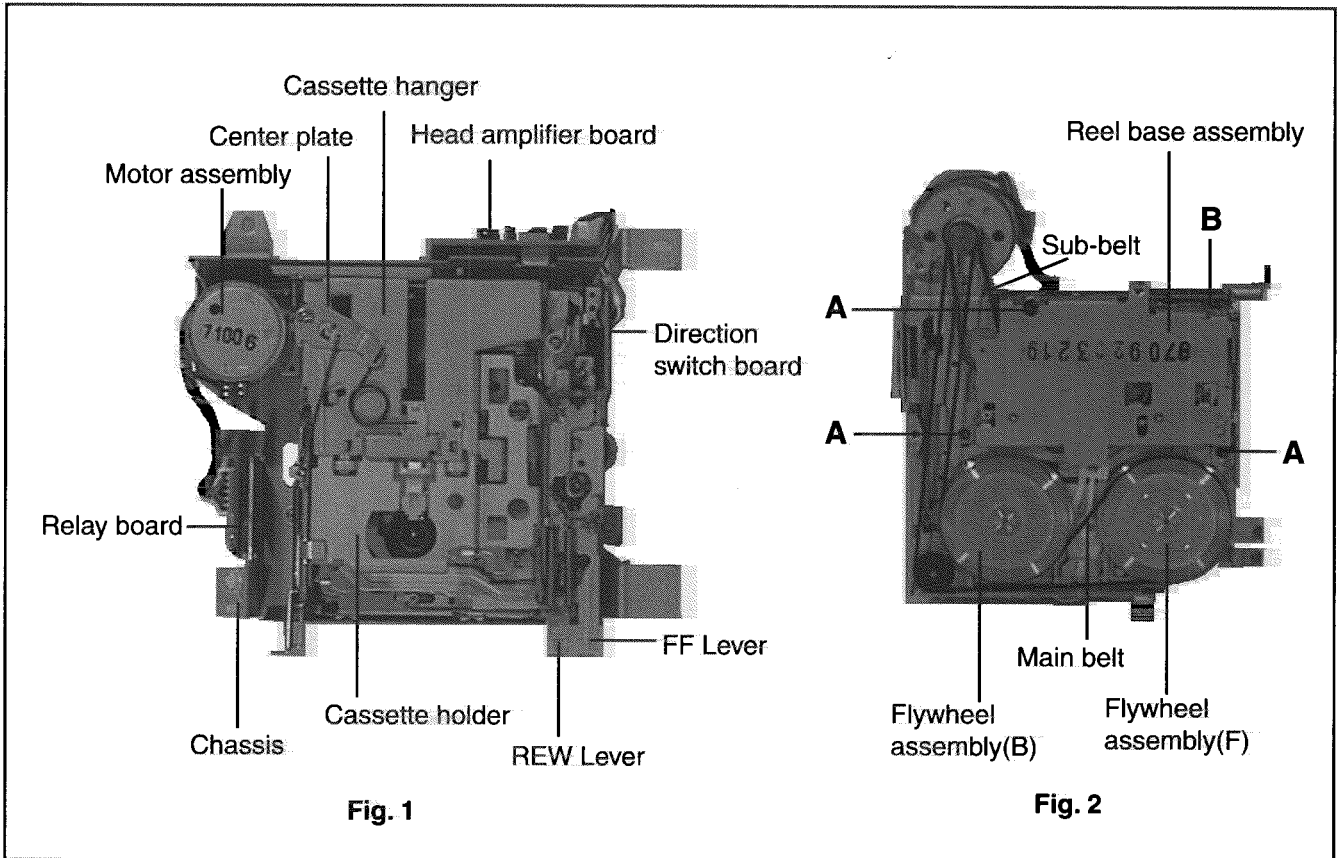


Fig.9

《Cassette Mechanism Sections》



■ Removing the main parts of cassette mechanism

1. Remove the cassette hanger and FF, REW, EJECT lever etc. , when you need to replace or adjusting head.
2. The main belt can be replaced directly.
3. To change the sub-belt, remove the three screws **A** and loosen one screw **B**.
Then raise the belt side of the reel base assembly slightly.

■ Removing the cassette hanger
(See Fig.1~5)

1. From the rear of the unit, bend the cassette hanger and chassis the five claws **a, b** outwards.
2. While pressing the EJECT lever, remove the cassette hanger.
3. Remove the return ink rod from the center plate of the cassette hanger.

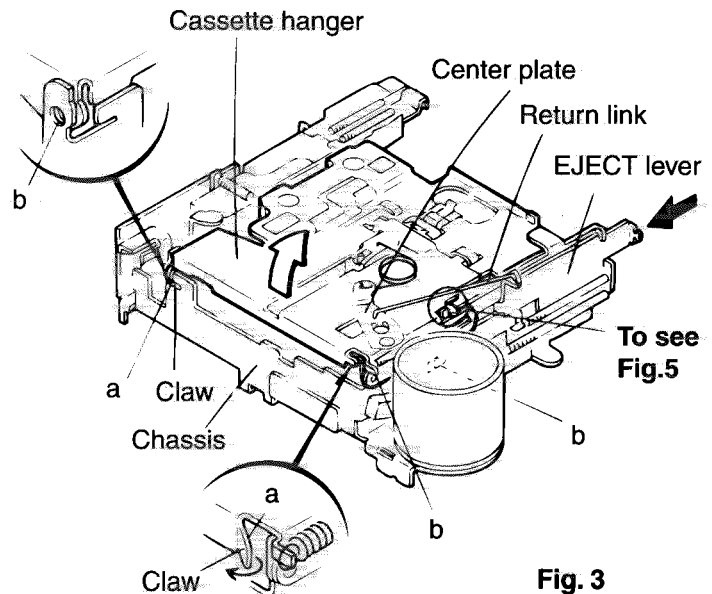


Fig. 3

Note : The reel disk and capstan can now be replaced.

- 1-1 Remove the **C** washer at the top of the reel disk to remove the reel disk.
caution : Replace with a new **C** washer after repairing.
- 1-2 To replace the capstan, remove the **E** washer in the pinch-roller section.
Remove the main belt of the flywheel beforehand.

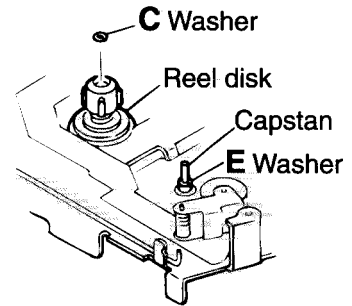


Fig. 4

■ **Assembling the cassette hanger (See Fig. 1-5)**

- 1. Assemble the return link.
 - 2. Install the cassette hanger on the chassis.
- Note : While pressing the EJECT lever, assemble in the order shown below.

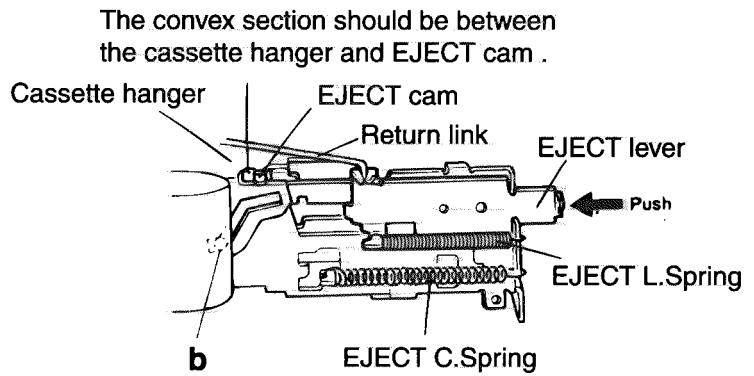


Fig. 5

■ **Removing the FF/REW lever assembly (See Fig. 6)**

- 1. From the rear of unit, remove the FF/REW lever assembly retaining the one screw **C**.
- 2. From the upper part of the FF/REW lever assembly, remove the FF/REW lever assembly retaining the one screw **D**.
- 3. From the front of unit, remove the FF/REW lever assembly upwards and pull it slightly to the front.

■ **Assembling the FF/REW lever Assembly**

- 1. Assemble the FF/REW lever assembly to the chassis of rear section **c**.
- 2. Assemble the pinch-roller shaft **d**, change lever(B) **e** and return link **f** to chassis.

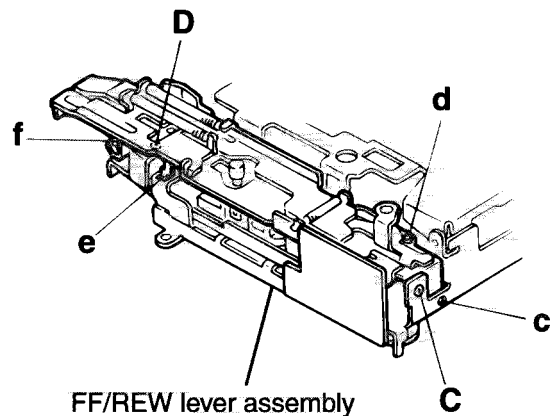


Fig. 6

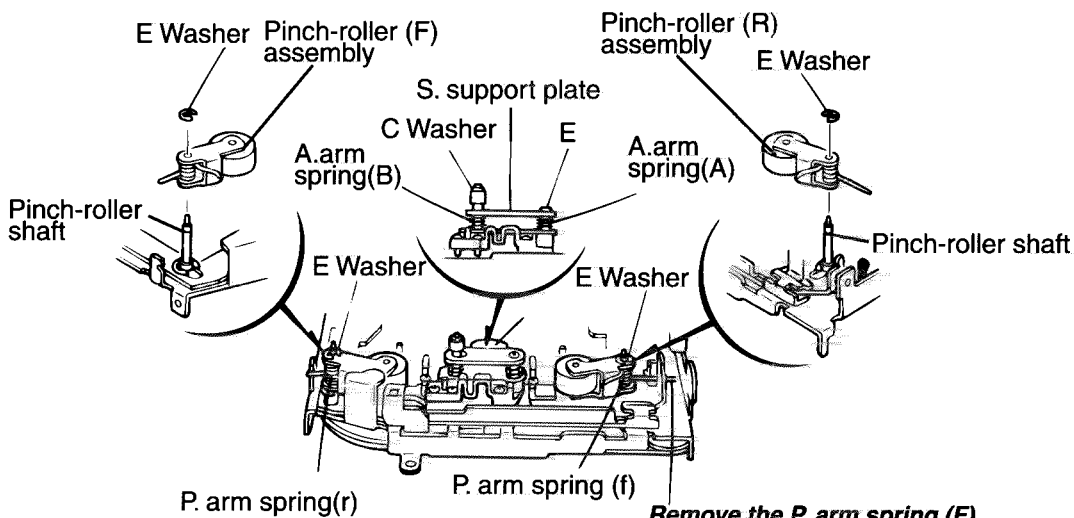


Fig. 7 Remove the P. arm spring (F) from the chassis.

■ **Removing the pinch-roller assembly (See Fig. 7)**

1. Remove the two E washers retaining the pinch-roller shaft.
2. Remove the P. arm spring (f) from the chassis.
3. Remove the P. arm spring (r) from the chassis.
4. Pull out the pinch-roller(F,R) assemblies from the left and right sides.

Note : The P. arm spring (f) and P. arm spring (r) are different.
 Note : The Pinch-roller (F) and Pinch-roller (R) assemblies are different.

■ **Removing the playback head (See Fig. 7)**

1. Remove the one fixed screw E retaining the playback head.
2. Remove the C Washer to pull the FF roller out .
3. Remove the S. support plate to remove the A. arm springs (a,b) and playback head.

Note : The A. arm spring (a) and A. arm spring (b) are different.

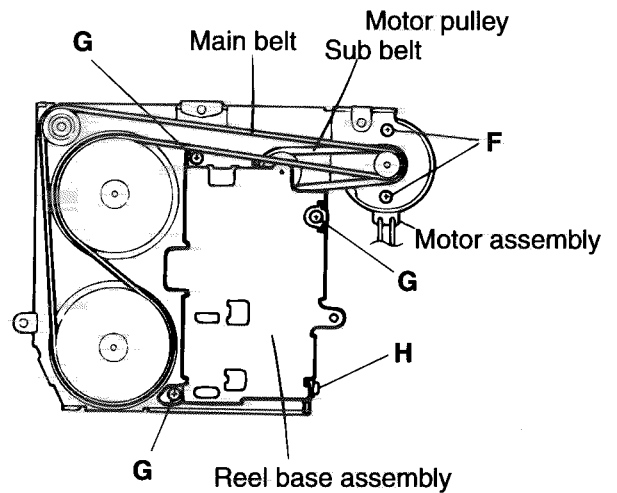


Fig. 8

■ **Removing the motor assembly (See Fig. 8)**

1. Remove the main belt and sub-belt from the back side unit.
2. Remove the two screws F retaining the motor assembly.

■ **Changing the sub-belt (See Fig. 8)**

1. Remove the main belt from the back side unit..
2. Remove the sub-belt from the motor pulley.
3. Remove the four screws G, H retaining the reel base assembly.
4. Lift up the reel base assembly slightly to change the belt.

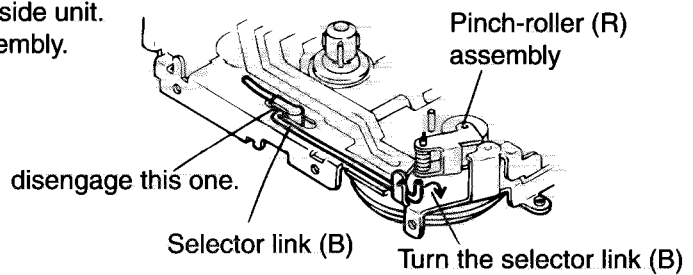
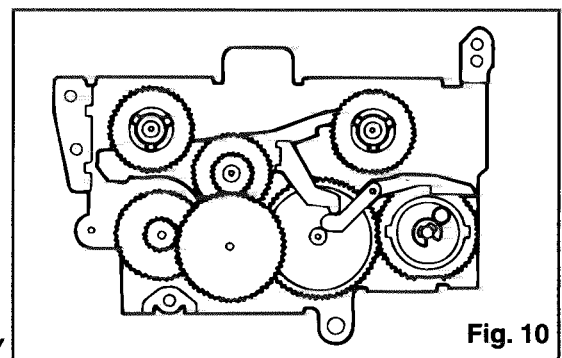


Fig. 9

■ **Removing the reel base assembly (See Fig. 8-10)**

1. Remove the selector link (B) from the front unit by turning the selector link (B) near the pinch-roller as shown in the figure 9.
3. Remove the four screws G, H retaining the reel base assembly.
4. Remove the reel base assembly carefully.

Note : Service for the reel base assembly is not available.



Back side view of the reel base assembly

Fig. 10

Adjustment method

■ Test Instruments required for adjustment

1. Digital oscilloscope(100MHz)
2. Frequency Counter meter
3. Electric voltmeter
4. Wow & flutter meter
5. Test Tapes
 - VT724 for DOLBY level measurement
 - VT739 For playback frequency measurement
 - VT712 For wow flutter & tape speed measurement
 - VT703 For head azimuth measurement
6. Torque gauge Cassette type for CTG-N
(mechanism adjustment)

■ Measuring conditions(Amplifier section)

- Power supply voltage DC14.4V (10.5 - 16V)
- Load impedance 4 (2Speakers connection)
- Line out 20k

■ Standard volume position

Balance and Bass, Treble volume .Fader
:Center(Indication"0")
Loudness, Dolby NR, Sound, Cruise:Off
Volume position is about 2V at speaker output with
following conditions. Playback the test tape VT721.

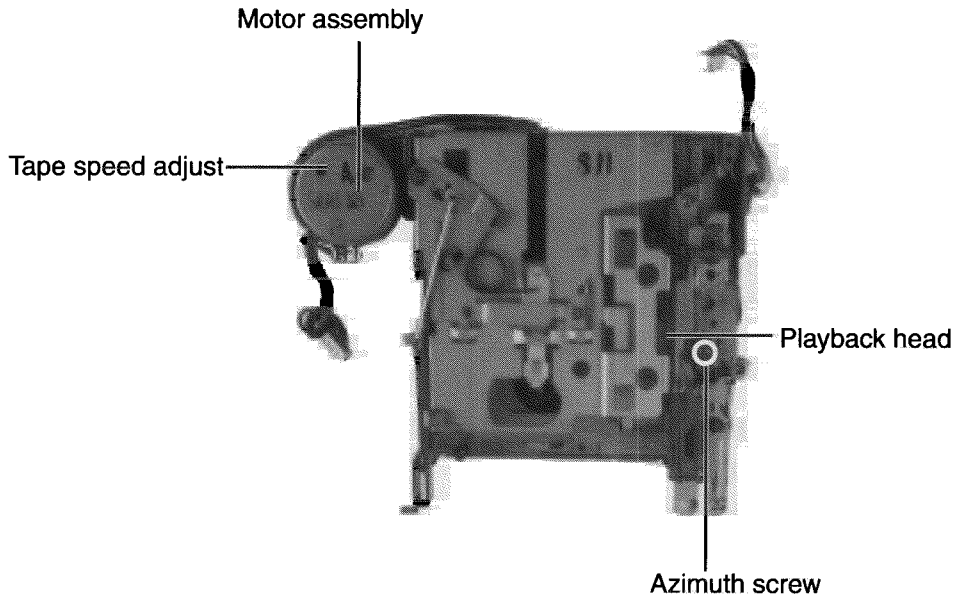
- AM mode 999kHz/62dB, INT/400Hz, 30%
modulation signal on receiving.
- FM mono mode 97.9MHz/66dB, INT/400Hz, 22.5kHz
deviation pilot off mono
- FM stereo mode 1kHz, 67.5kHz dev. pilot 7.5kHz dev.
- Output level 0dB(1 V, 50 /open terminal)

■ Frequency Band

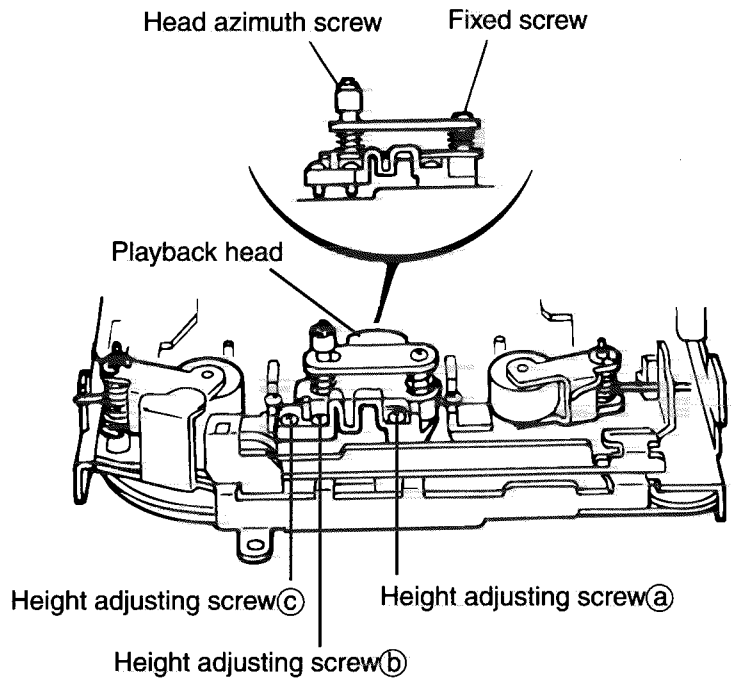
Band	FM	87.5-108MHz	50KHz step
	MW	522-1620KHz	9KHz step
	LW	144-279KHz	

■Arrangement of adjusting & test points

Cassette mechanism
(Surface)



Head section view



■ Information for using a car audio service jig

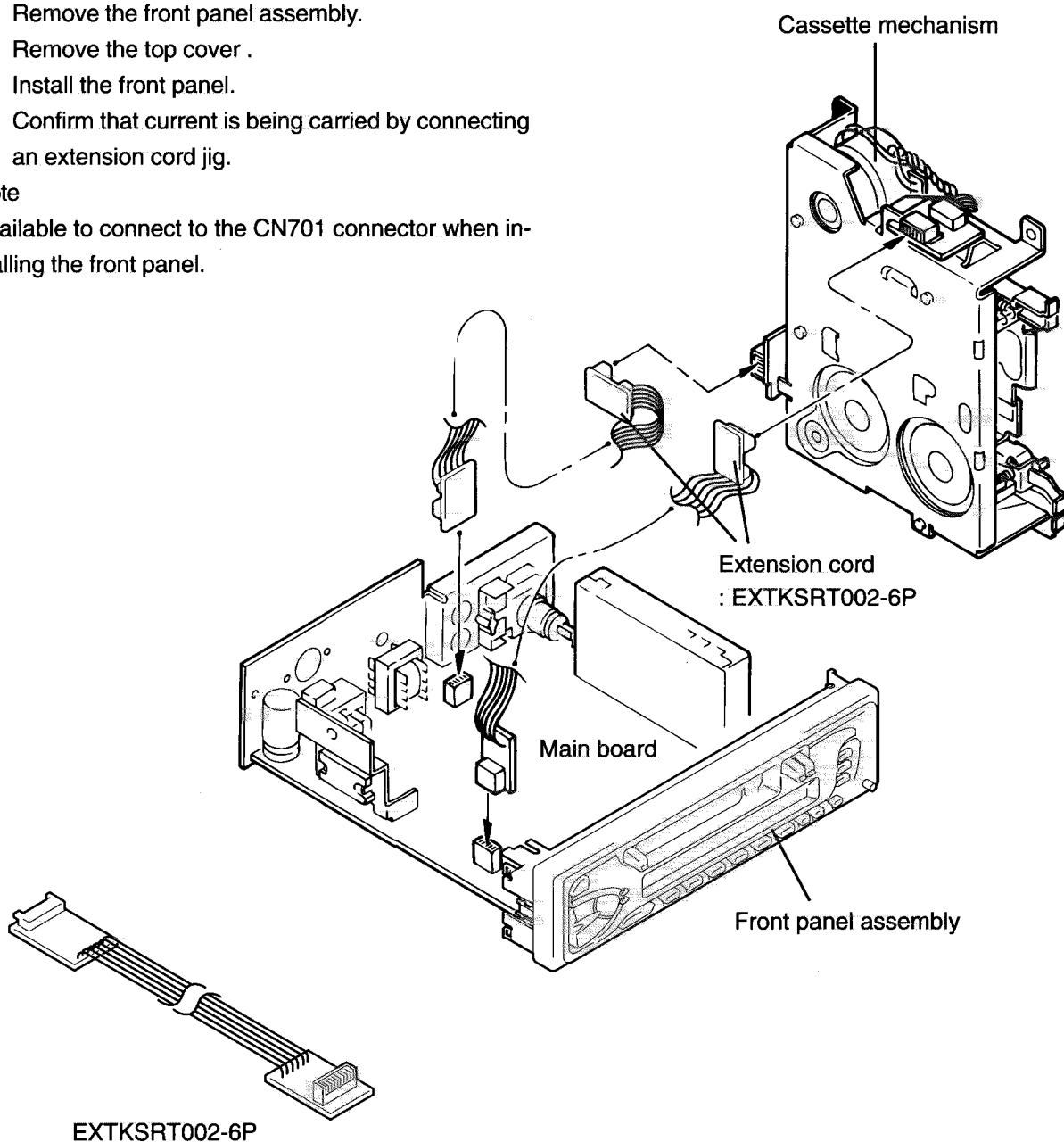
1. For 1995 and 1996 , we're advancing efforts to make our extension cords common for all car audio products. Please use this type of extension cord as follows.
2. As a U-shape type top cover is employed, this type of extension cord is needed to check operation of the mechanism assembly after disassembly.
3. Extension cord : EXTKSRT002-6P (6 pin extension cord) For connection between mechanism assembly and main board assembly.
Check for mechanism driving section such as motor ,etc..

■ Disassembly method

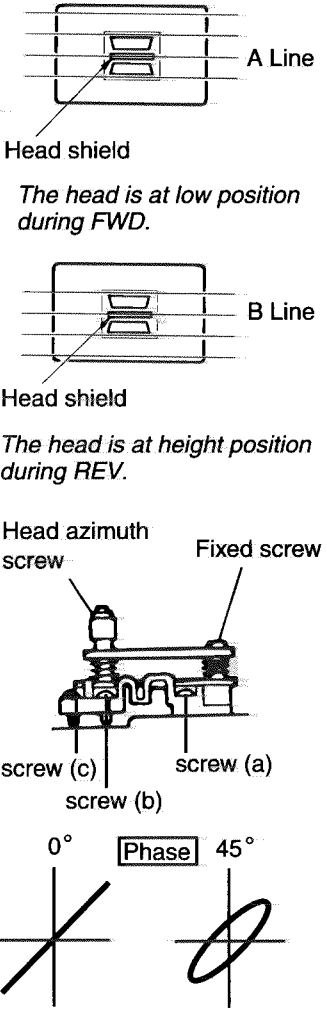
1. Remove the bottom cover.
2. Remove the front panel assembly.
3. Remove the top cover .
4. Install the front panel.
5. Confirm that current is being carried by connecting an extension cord jig.

Note

Available to connect to the CN701 connector when installing the front panel.



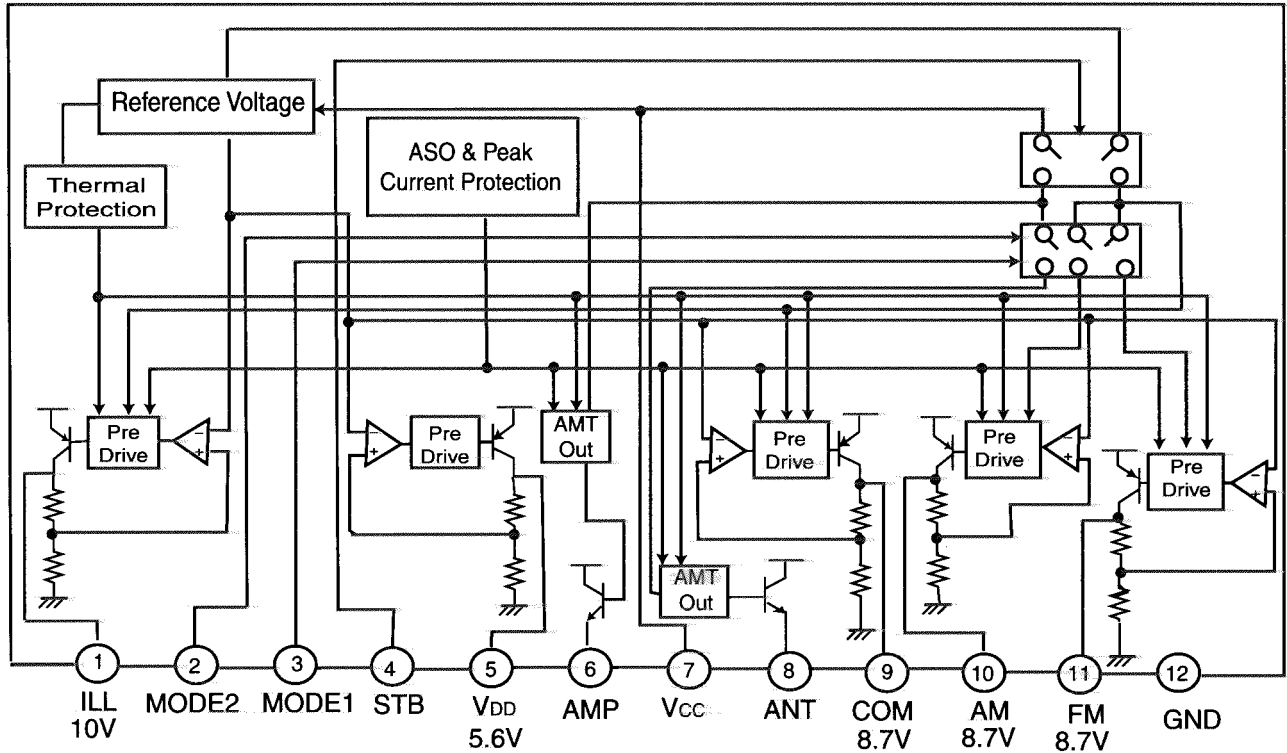
■Mechanism adjustment section

Item	Adjusting & Confirmation Methods	Adjust	Std. Value
<p>1.Head azimuth</p>	<p>"Head Height Adjustment" Note Adjust the azimuth directly. When you adjust the height using a mirror tape, remove the cassette housing from the mechanism chassis. After installing the cassette housing, perform the azimuth adjustment.</p> <ol style="list-style-type: none"> 1.load the mirror tape (SCC-1659). Adjust with height adjustmentscrew (a) and azimuth adjustment screw (b) so that line "A" of the mirror tape runs in the center between Lch and Rch in the reverse play mode. 2.After switching from REV to FWD then to REV, check that the head position set in procedure "1" is not changed. *If the position has shifted, adjust again and check. 3.Adjust the azimuth screw (b) so that line "B" of the mirror tape runs in the center between Lch and Rch in the forward play mode. <p>"Head Azimuth Adjustment" 1.Load the test tape (VT724: 1kHz) and play it back in the reverse play mode. set the Rch output level to maximum. 2.Load the test tape (VT703: 10kHz) and play it back in the forward play mode. Adjust the Rch and Lch output levels to maximum, with azimuth adjustment screw (b). In this case, the phase difference should be within 45° . 3.Engage the reverse mode and adjust the output level to maximum, with azimuth adjustment screw (c). *The phase difference should be 45_Kor more. 4.When switching between forward and reverse modes, the difference between channels should be within 3dB. *Between FWD Lch and Rch, REV Lch and Rch. 5.When the test tape (VT721 : 315Hz) is played back, the level difference between channels should be within 1.5dB.</p>	 <p>Head shield</p> <p>The head is at low position during FWD.</p> <p>Head shield</p> <p>The head is at height position during REV.</p> <p>Head azimuth screw</p> <p>Fixed screw</p> <p>screw (c)</p> <p>screw (a)</p> <p>screw (b)</p> <p>0°</p> <p>Phase</p> <p>45°</p>	
<p>2. Tape Speed and Wow & Flutter</p>	<ol style="list-style-type: none"> 1. Check to see if the reading of the frequency counter & Wow flutter meter is within 2940-3090 Hz(FWD/REV), and less than 0.35% (JIS RMS). 2. In case of out of specification, adjust the motor with a built-in volume resistor. 	<p>Built-in volume resistor</p>	<p>Tape Speed 2940-3090Hz Wow&Flutter Less than 0.35% (JIS RMS)</p>
<p>3. Playback Frequency response</p>	<ol style="list-style-type: none"> 1. Play the test tape (VT724 : 1kHz) back and set the volume position at 2V. 2. Play the test tape (VT739)back and confirm 0 ± 3dB at 1kHz/ 8kHz and -4+2dB at 1kHz/125Hz. 3. When 8kHz is out of specification, it will be necessary to read adjust the azimuth. 		<p>Speaker out 1kHz/8kHz : 0dB_}3dB, 125Hz/1kHz : -4dB+2dB,</p>

Description of major ICs

■ AN80T05LF (IC961) : Regulator

1. Block diagram

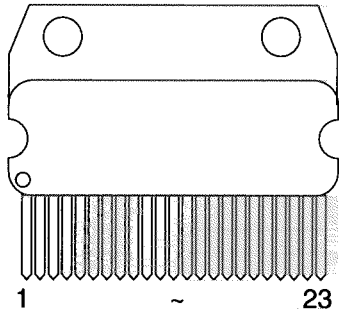


2. Pin Function

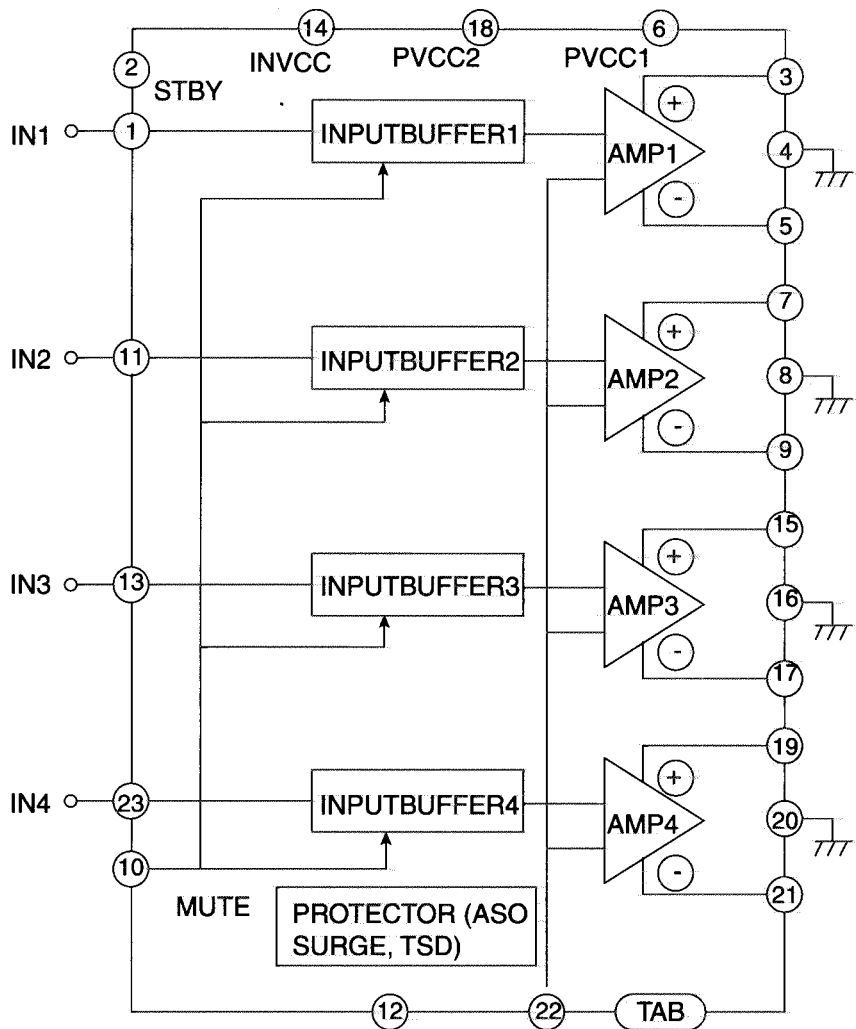
Pin No.	Pin name	Function
1	Illumination output	10V power supply with a maximum output current of 300mA for a illumination.
2	MODE2 SW	AM and ANT output are turned ON when this pin is 5V.
3	MODE1 SW	AM and FM output are switched when this pin is 5V.
4	STAND BY	Only VDD output during the 0V standby state; ILL, COM and AMP outputs are turned ON when this pin is 5V.
5	VDD output	5.6V Power supply with a maximum output current of 100mA for a micro-controller. Output is always available if BACKUP power supply is connected.
6	AMP output	Power supply to activate a remote amplifier; a voltage of about 1V(typ) lower than VCC voltage is provided with a maximum output current of 500mA.
7	VCC	Connected to car BACKUP and ACC Power supplies.
8	ANT output	Power supply to drive an antenna voltage of about 1V(Tpy) lower than the VCC voltage is provided with a maximum output current of 500mA.
9	COM output	8.7V power supply with a maximum output current of 150mA; this can be used as a system common power supply.
10	AM output	8.7V power supply with a maximum output current of 150mA for AM receiver.
11	FM output	8.7V power supply with a maximum output current of 150mA for FM receiver.
12	GND	Connected to the IC substrate.

■ HA13158A (IC941) : Power amp

1. Pin layout

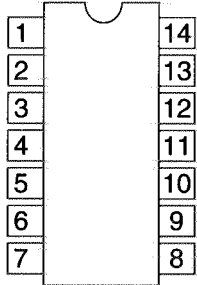


2. Block diagram



■HD74HC126FP-X (IC751) : Buffer

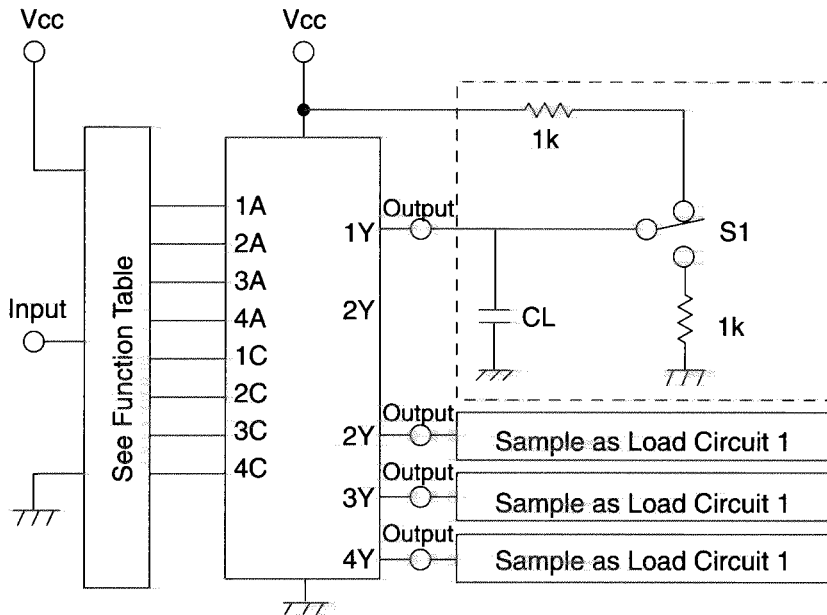
1. Pin layout



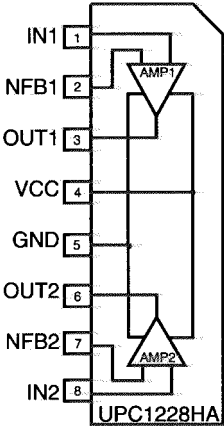
2. Function

Inputs		Outputs
C	A	Y
L	X	Z
H	L	H
H	H	L

3. Block diagram

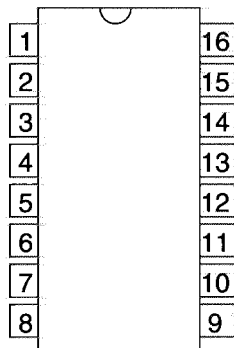


■ **UPC1228HA(IC901):Head amp**



SAA6579T-X (IC761) : RDS Detector

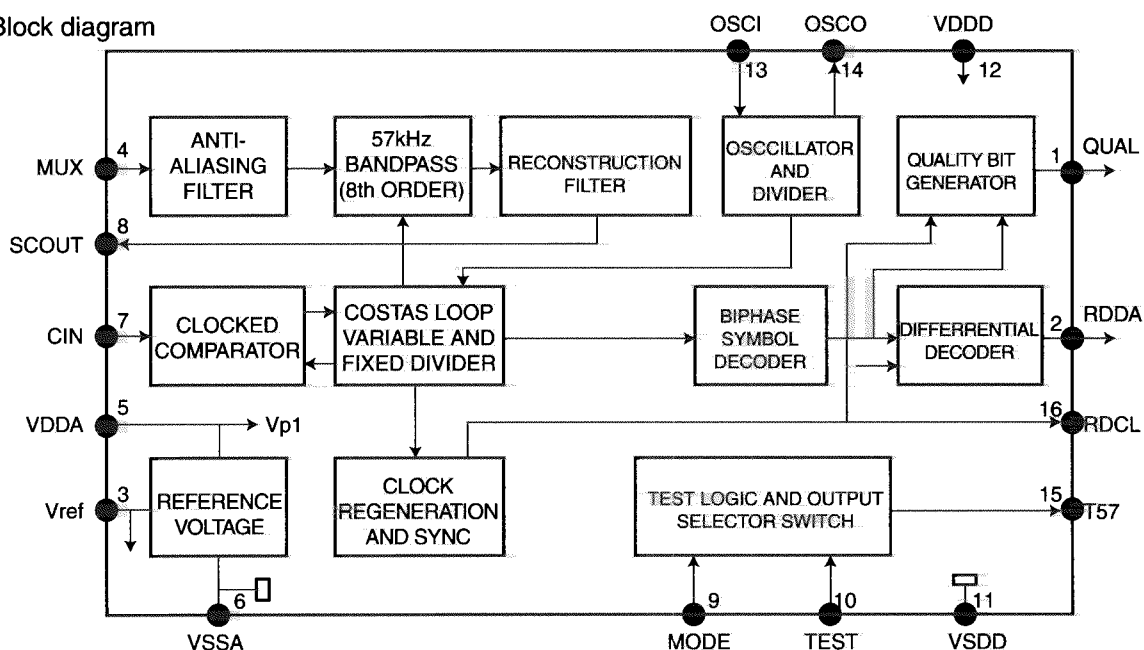
1. Pin layout



2. Pin function

Pin No.	Symbol	Function
1	QUAL	Quality indication output
2	RDDA	RDS data output
3	Vref	Reference voltage output (0.5VDDA)
4	MUX	Multiplex signal input
5	VDDA	+5V supply voltage for analog part
6	VSSA	Ground for analog part (0V)
7	CIN	Subcarrier input to comparator
8	SCOUT	Subcarrier output of reconstruction filter
9	MODE	Oscillator mode / test control input
10	TEST	Test enable input
11	VSSD	Ground for digital part (0V)
12	VDDD	+5V supply voltage for digital part
13	OSCI	Oscillator input
14	OSCO	Oscillator output
15	T57	57kHz clock signal output
16	RDCL	RDS clock output

3. Block diagram

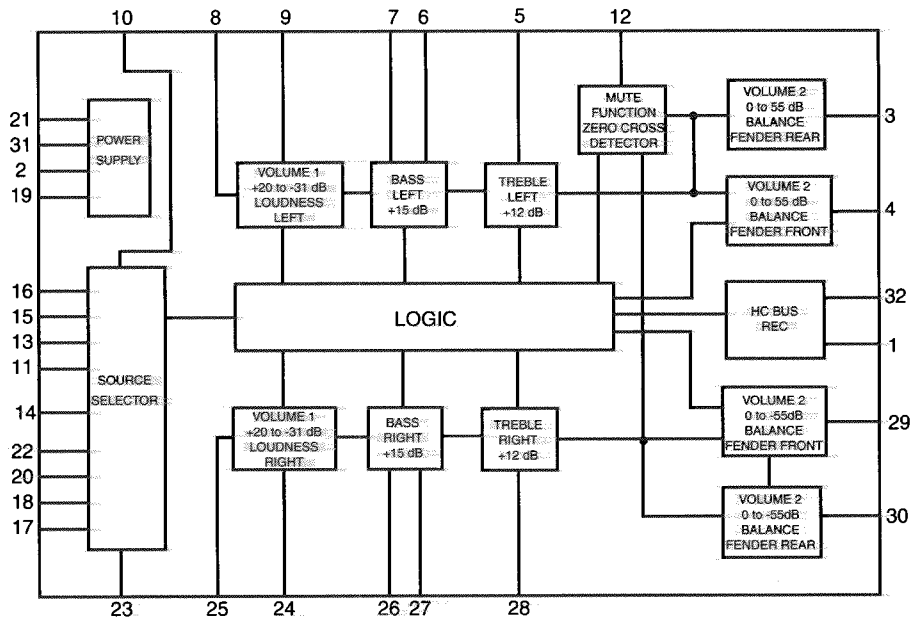


TEA6320T-X (IC911) : E.VOLUME

1.Pin Layout

2.Block Diagram

SDA	1	32	SCL
GND	2	31	VCC
OUTLR	3	30	OUTRR
OUTLF	4	29	OUTRF
TL	5	28	TR
B2L	6	27	B2R
B1L	7	26	B1R
IVL	8	25	IVR
ILL	9	24	ILR
QSL	10	23	QSR
IDL	11	22	IDR
MUTE	12	21	Vref
ICL	13	20	ICR
IMD	14	19	CAP
IBL	15	18	IBR
IAL	16	17	IAR
			CD-CH
			TUNER

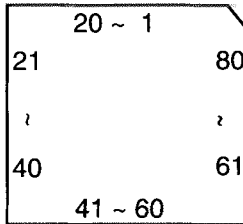


3.Pin Functions

Pin No.	Symbol	I/O	Functions	Pin No.	Symbol	I/O	Functions
1	SDA	I/O	Serial data input/output.	17	IAR	I	Input A right source.
2	GND	-	Ground.	18	IBR	I	Input B right source.
3	OUTLR	O	output left rear.	19	CAP	-	Electronic filtering for supply.
4	OUTLF	O	output left front.	20	ICR	I	Input C right source.
5	TL	I	Treble control capacitor left channel or input from an external equalizer.	21	Vref	-	Reference voltage (0.5Vcc)
6	B2L	-	Bass control capacitor left channel or output to an external equalizer.	22	IDR	-	Not used
7	B1L	-	Bass control capacitor left channel.	23	QSR	O	Output source selector right channel.
8	IVL	I	Input volume 1. left control part.	24	ILR	I	Input loudness right channel.
9	ILL	I	Input loudness. left control part.	25	IVR	I	Input volume 1. right control part.
10	QSL	O	Output source selector. left channel.	26	B1R	-	Bass control capacitor right channel
11	IDL	-	Not used	27	B2R	O	Bass control capacitor right channel or output to an external equalizer.
12	MUTE	-	Not used	28	TR	I	Treble control capacitor right channel or input from an external equalizer.
13	ICL	I	Input C left source.	29	OUTRF	O	Output right front.
14	IMO	-	Not used	30	OUTRR	O	Output right rear.
15	IBL	I	Input B left source.	31	Vcc	-	Supply voltage.
16	IAL	I	Input A left source.	32	SCL	I	Serial clock input.

■ UPD178016AGC513(IC701):System Controller Micon

1. Terminal Layout

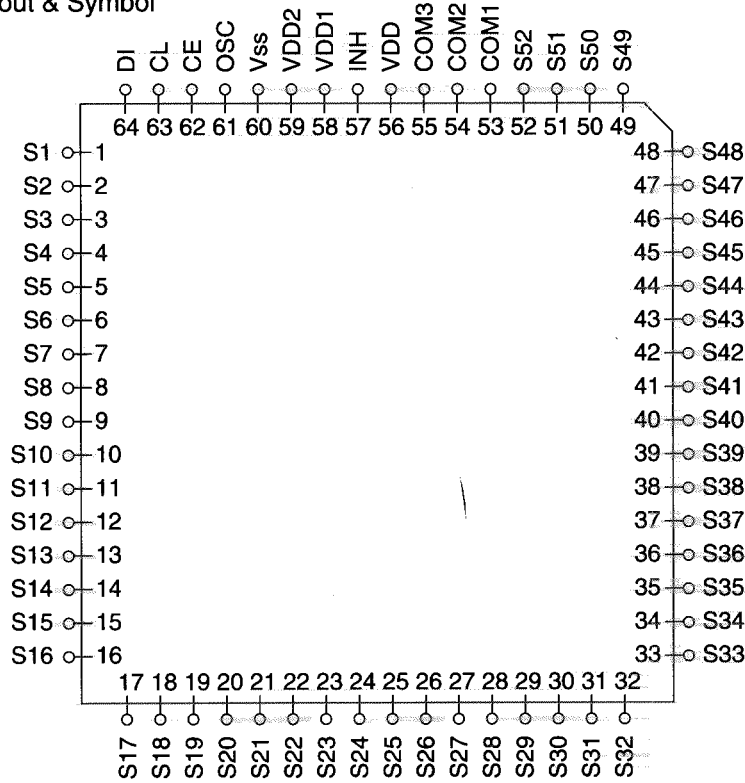


2. Description

Pin No.	Symbol	I/O	Function	Pin No.	Symbol	I/O	Function
1	KEY0	I	Key input 0	41	NC	O	Non connection
2	KEY1	I	Key input 1	42	NC	O	Non connection
3	KEY2	I	Key input 2	43	TELMUTE	O	Non connection
4	LEVEL	O	Non connect	44	TAPEIN	I	Cassette in detect input H:OUT L:IN
5	SM	I	Signal meter input	45	I2CSCK	I/O	Clock in/output for electrical volume IC control
6	SQ	I	Signal quality input	46	I2CDAO	O	Data output for electrical volume IC control
7	LCDCE	O	Chip enable output to LCD driver	47	I2CDAI	I	Data input for electrical volume IC control
8	LCDDA	O	Data output to LCD driver	48	NC	O	Non connection
9	LCDSCK	O	Clock output to LCD driver	49	NC	O	Non connection
10	BUSI/O	O	I/O switch output for J-BUS				
11	UNLOCK	O	Unlock output for PLL L:unlock H:lock	50	T-MUTE	O	Non connection
12	BUSSI	I	Data input for J-BUS				
13	BUSO	O	Data output for J-BUS	51	NC		Non connection
14	BUSSCK	O	Clock output for J-BUS	52	NC	O	Non connection
15	MUTE	O	Mute output L:mute	53	NC	O	Non connection
16-20	NC	O	Non connect	54	NC	O	Non connection
21	GNDPORT	-	GND for port				
22	VDDPORT	-	VDD for port	55	TAPE	O	"H" at TAPE mode is output
23	AM	O	Output for AM power supply H:AM Mode	56	TUNER	O	"H" at TUNER mode is output
24	AFCK	O	AF check output L:AF check	57	CD	O	"H" at CD mode is output
25	MONO	O	Monaural ON/OFF output H:Monaural ON	58	NC	O	Non connection
26	FM	O	Output for FM power supply H:FM Mode	59	NC	O	Non connection
27	SEEK/STOP	O	Auto seek/Stop output H:Aut seek L:Stop	60	MUTE	O	Non connection
28	NC	I	Non connect	61	POWER	O	Power output, H:power ON
29	IFC	I	FM/AM limited generator frequency input	62-66	NC	O	Non connect
30	VDDPLL	-	VDD for PLL	67	ON	I	On input, H>Action mode L:Power save mode
31	FMOSC	I	FM/AM limited generator frequency input	68	STOP	I	Input for stop mode
32	AMOSC	I	Non connect	69	RDSCK	I	Clock input for RDS
33	GNDPLL	-	GND for PLL	70	RSDA	I	Data input for RDS
34	AMEO	O	Error out output for AM	71	REMOCON	O	Non connection
35	FMEO	O	Error out output for FM	72	DETACH	I	Detach input, Action mode L by more than 200ms, H:power save mode
36	IC	-	Direct connecting to ground				
37	SD/ST	I	Seek/Stop port H:SD input Seek/Stop port L:Stereo input	73	JBUS INT	I	Cut-in input for J-BUS.
38	STAGE	I	Initial establishing port, L:None disc Momentary key is two mode.	74	REGCPU	-	Connects the ground with capacitor 0.1μF.
39	NC	I	Non connect	75	GND	-	Ground
				76	X2	-	Connect the crystal oscillator for system clock.
				77	X1	-	Connect the crystal oscillator for system clock.
40	F/R	I	Forward, reverse switching input. H:Forward L:Reverse	78	REGOSC	-	Connects the ground with capacitor 0.1μF.
				79	VDD	-	Power supply
				80	/RESET	I	Connect the VDD with resistor.

■ LC75823W (IC651) : LCD Driver

1. Pin Layout & Symbol

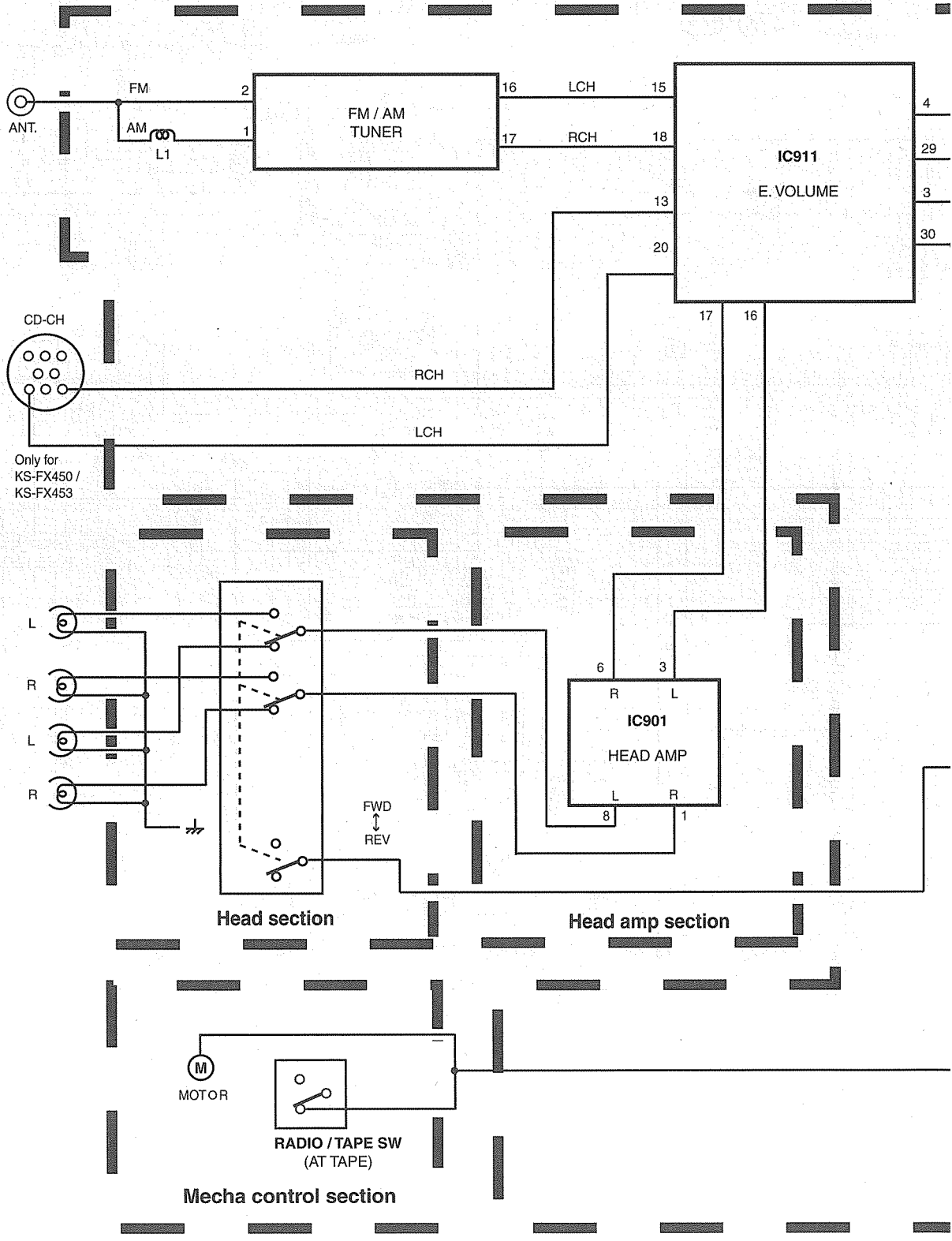


2. Pin Function

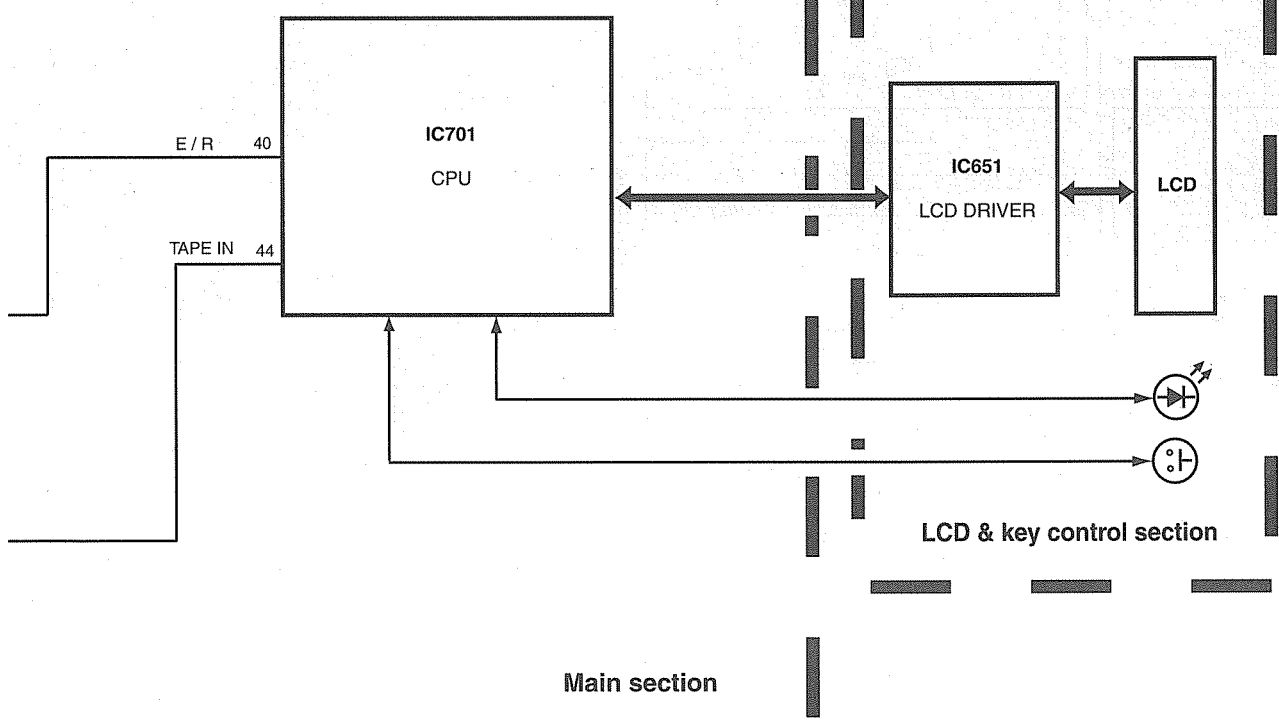
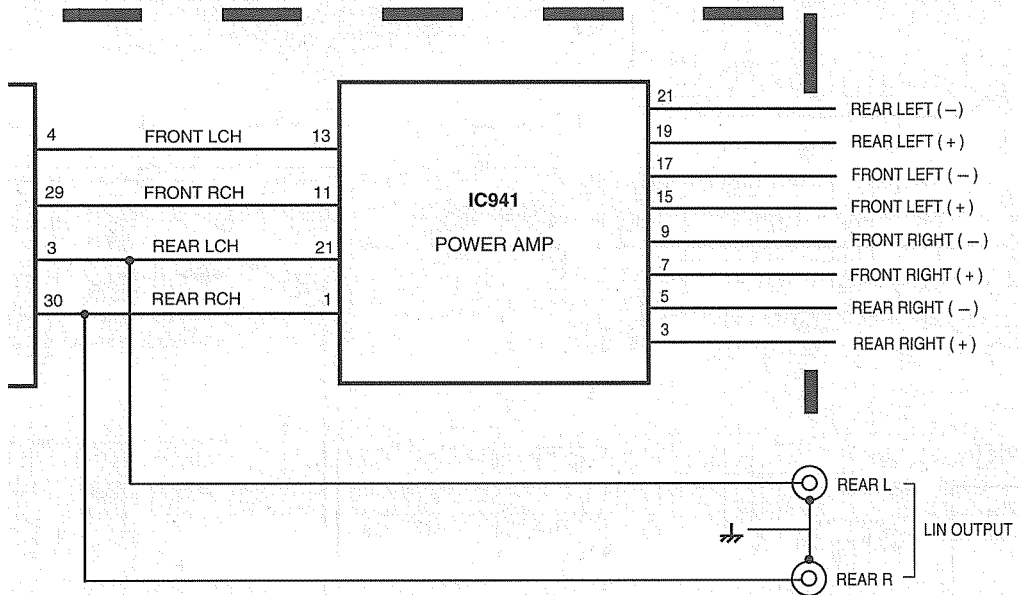
Pin No.	Symbol	I/O	Function
1 to 52	S1 to S52	O	Segment output pins used to display data transferred by serial data input.
53 to 55	COM1 to COM3	O	Common driver output pins. The frame frequency is given by : $t_0 = (f_{osc}/384)$ Hz.
56	VDD	--	Power supply connection. Provide a voltage of between 4.5 and 6.0V.
57	\overline{INH}	I	Display turning off input pin. $\overline{INT} = "L"$ (Vss) ----- off (S1 to S52, COM1 to COM3="L" $\overline{INT} = "H"$ (VDD)----- on Serial data can be transferred in display off mode.
58	VDD1	I	Used for applying the LCD drive 2/3 bias voltage externally. Must be connected to VDD2 when a 1/2 bias drive scheme is used.
59	VDD2	I	Used for applying the LCD drive 1/3 bias voltage externally. Must be connected to VDD1 when a 1/2 bias drive scheme is used.
60	Vss	--	Power supply connection. Connect to GND.
61	OSC	I/O	Oscillator connection. An oscillator circuit is formed by connecting an external resistor and capacitor at this pin.
62	CE		Serial data interface connection CE : Chip enable
63	CL	I	CL : Sync clock
64	DI		DI : Transfer data

Block diagram

5
4
3
2
1



A B C D



Standard schematic diagrams

■ Main board section

CONDITION—FM
 1. VOLTAGES ARE DC-MEASURED WITH A DIGITAL VOLT METER WITHOUT CONDITION—FM MODE. □ AM MODE
 2. UNLESS OTHERWISE SPECIFIED, ALL RESISTORS ARE 1/10W OR 1/4W 15K METAL GLAZE RESISTOR. ALL CAPACITORS ARE 50V OR 25V CERAMIC CAPACITOR. ALL RESISTANCE VALUES ARE IN OHM. ALL CAPACITANCE VALUES ARE IN UF [p=F/F] ALL E-CAPACITORS ARE SHOWN IN THE FORM OF CAPACITANCE (uF)/V
 TF --- T.F. CAPACITOR
 N --- N.F. CAPACITOR

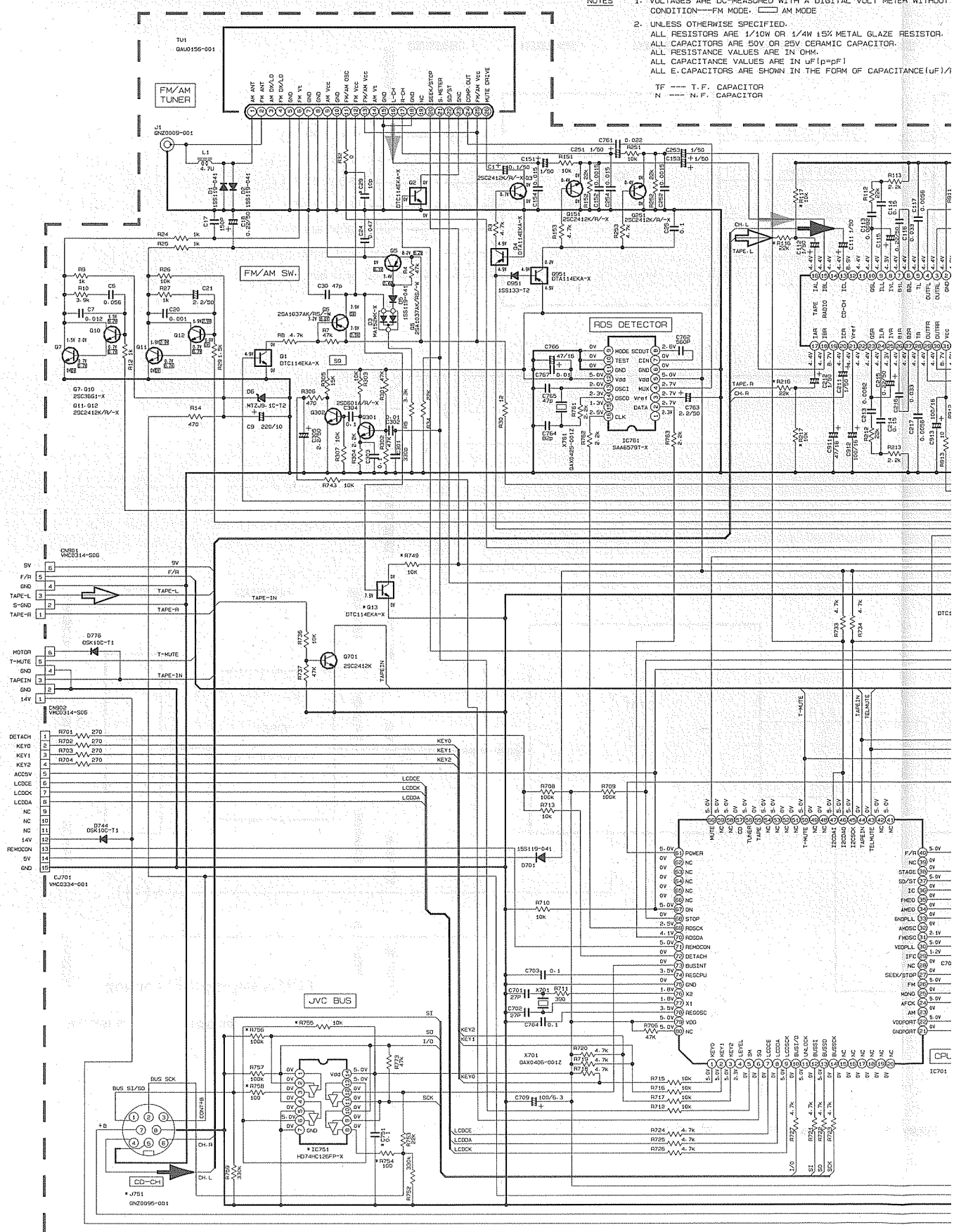
5

4

3

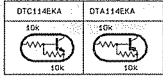
2

1

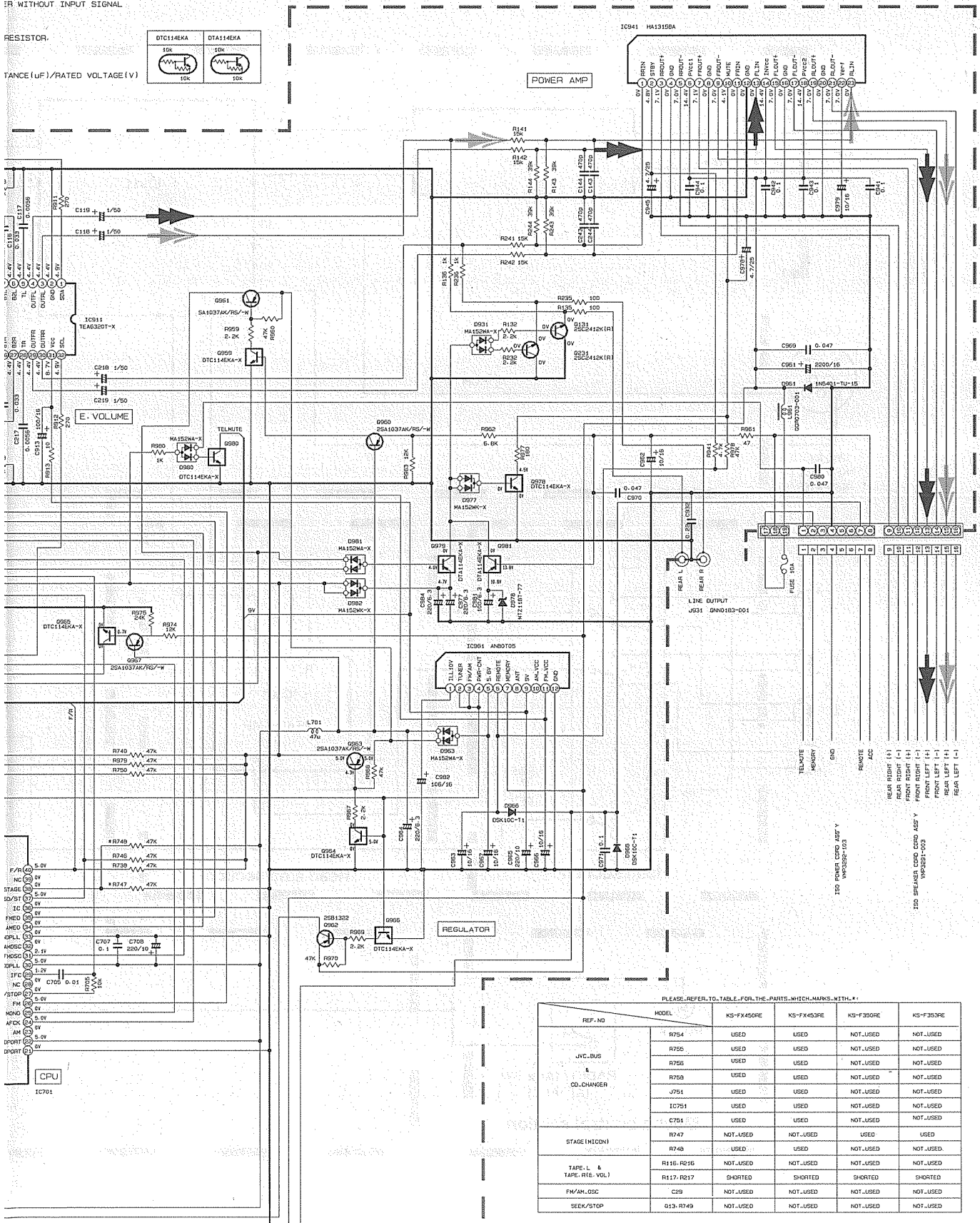


IR WITHOUT INPUT SIGNAL

RESISTOR



CAPACITANCE (UF./RATED VOLTAGE (V))



MAIN P. W. B
FSMW1075



TUNER MAIN SIGNAL
TAPE SIGNAL

CD-CH SIGNAL
FRONT SIGNAL
REAR SIGNAL

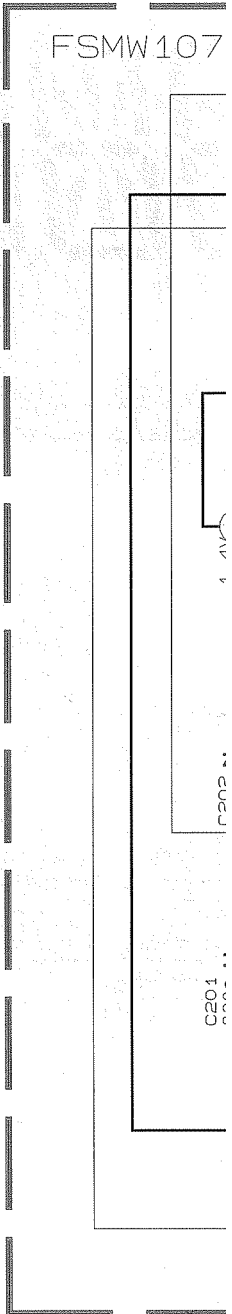
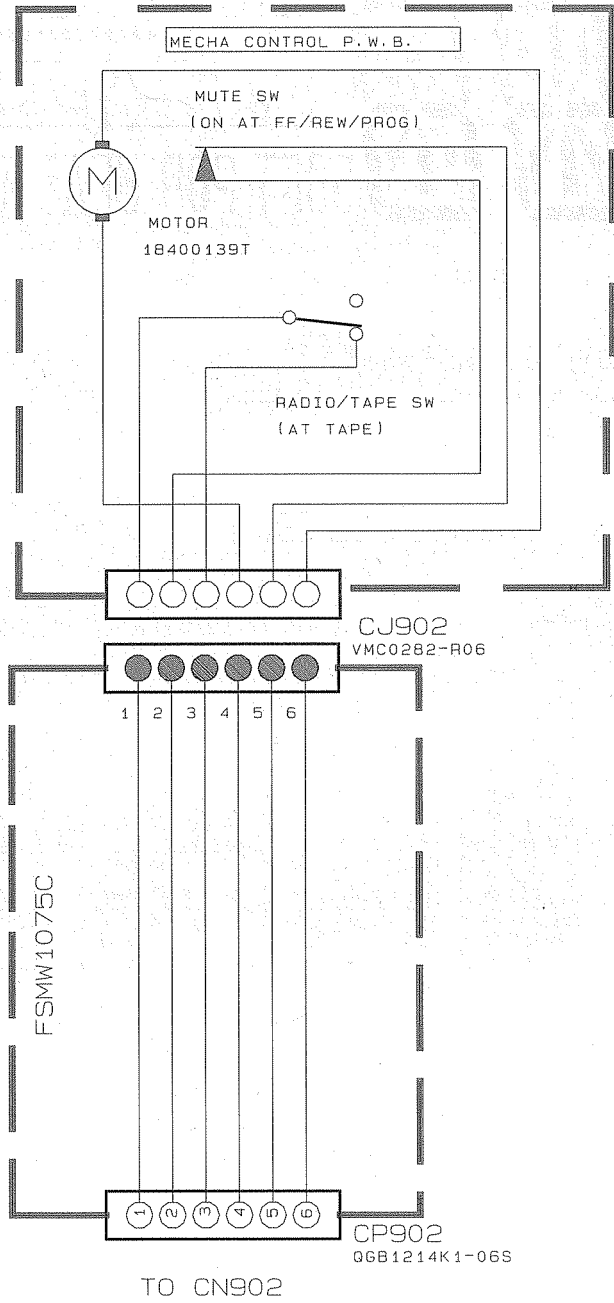
PLEASE REFER TO TABLE FOR THE PARTS SWITCH MARKS WITH *

REF. NO	MODEL	KS-FX450RE	KS-FX450RE	KS-F350RE	KS-F350RE
JVC BUS & CO-CHANGER	R754	USED	NOT USED	NOT USED	NOT USED
	R755	USED	USED	NOT USED	NOT USED
	R756	USED	USED	NOT USED	NOT USED
	R759	NOT USED	USED	NOT USED	NOT USED
	J751	USED	USED	NOT USED	NOT USED
	IC751	USED	USED	NOT USED	NOT USED
STAGE (H/D)	R747	NOT USED	NOT USED	USED	USED
	R748	USED	USED	NOT USED	NOT USED
TAPE L & TAPE R (L VOL)	R115-R216	NOT USED	NOT USED	NOT USED	NOT USED
	R117-R217	SHORTED	SHORTED	SHORTED	SHORTED
FM/AM_OSC	C29	NOT USED	NOT USED	NOT USED	NOT USED
SEEK/STOP	Q13-R749	NOT USED	NOT USED	NOT USED	NOT USED

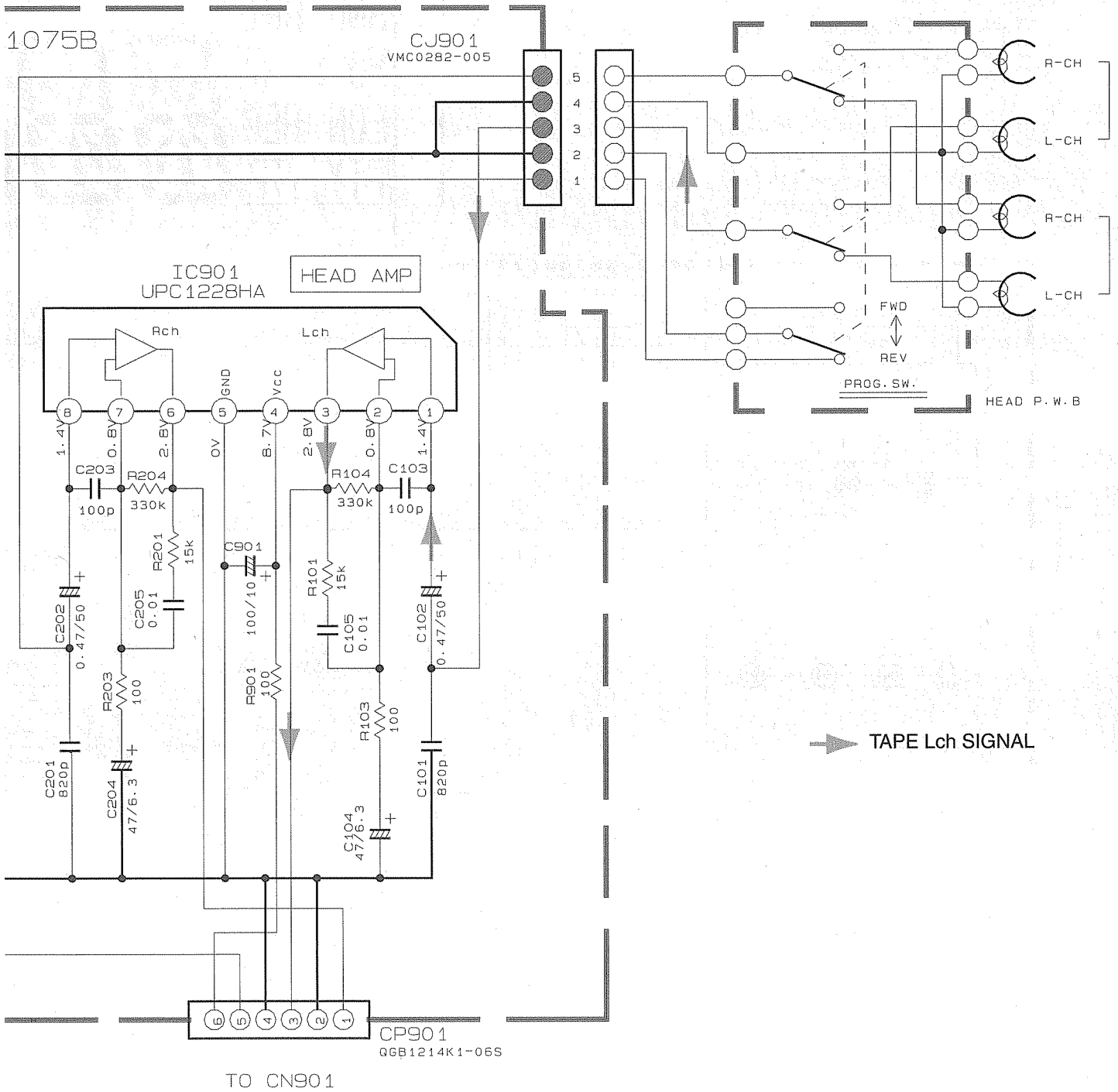
D | E | F | G | H

■ Head amp & mecha control section

5
4
3
2
1



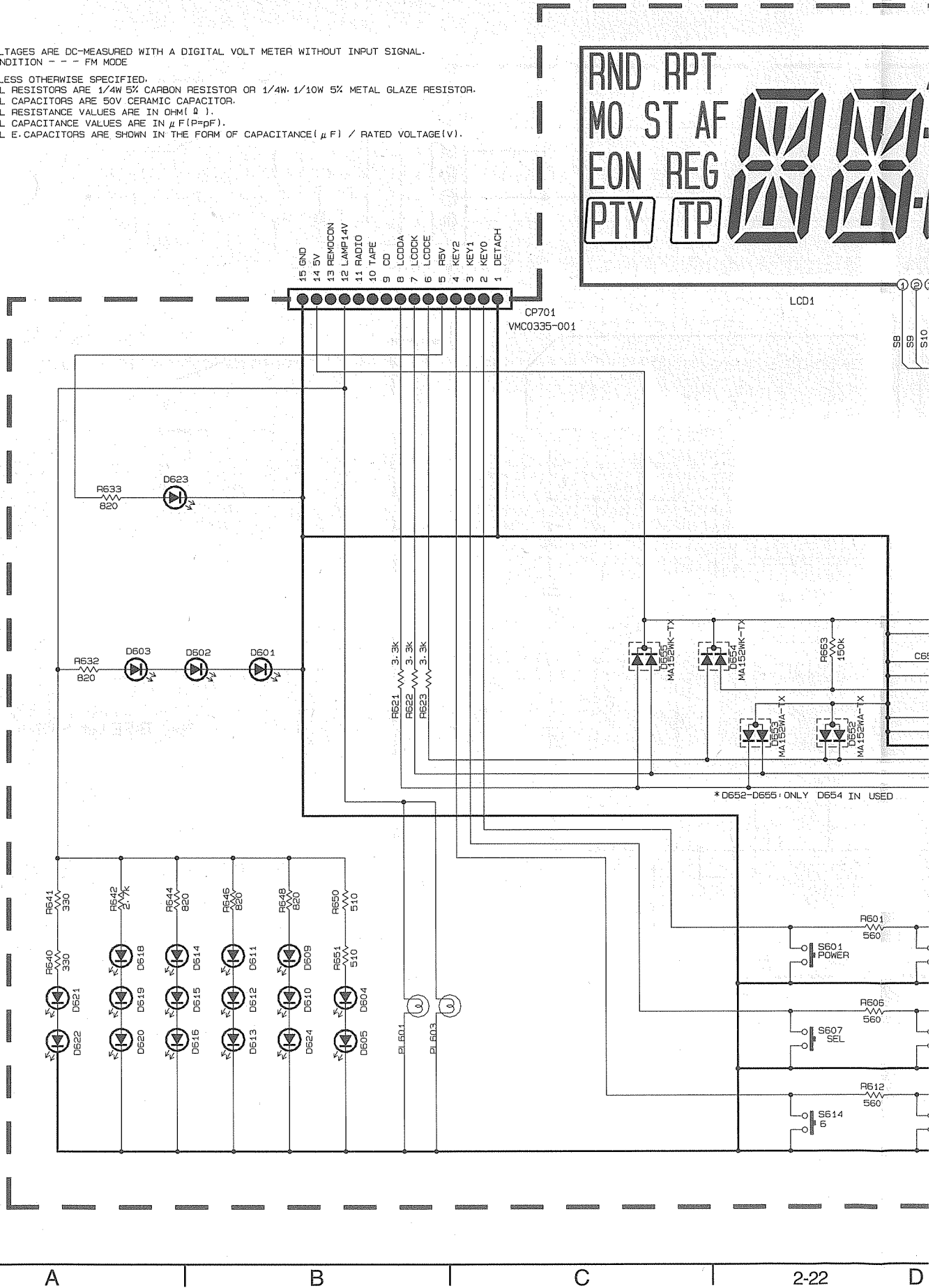
A B C D



■ LCD & key control section

NOTES

1. VOLTAGES ARE DC-MEASURED WITH A DIGITAL VOLT METER WITHOUT INPUT SIGNAL.
CONDITION - - - FM MODE
2. UNLESS OTHERWISE SPECIFIED.
ALL RESISTORS ARE 1/4W 5% CARBON RESISTOR OR 1/4W. 1/10W 5% METAL GLAZE RESISTOR.
ALL CAPACITORS ARE 50V CERAMIC CAPACITOR.
ALL RESISTANCE VALUES ARE IN OHM(Ω).
ALL CAPACITANCE VALUES ARE IN μF(P=pF).
ALL E. CAPACITORS ARE SHOWN IN THE FORM OF CAPACITANCE(μF) / RATED VOLTAGE(V).



5

4

3

2

1

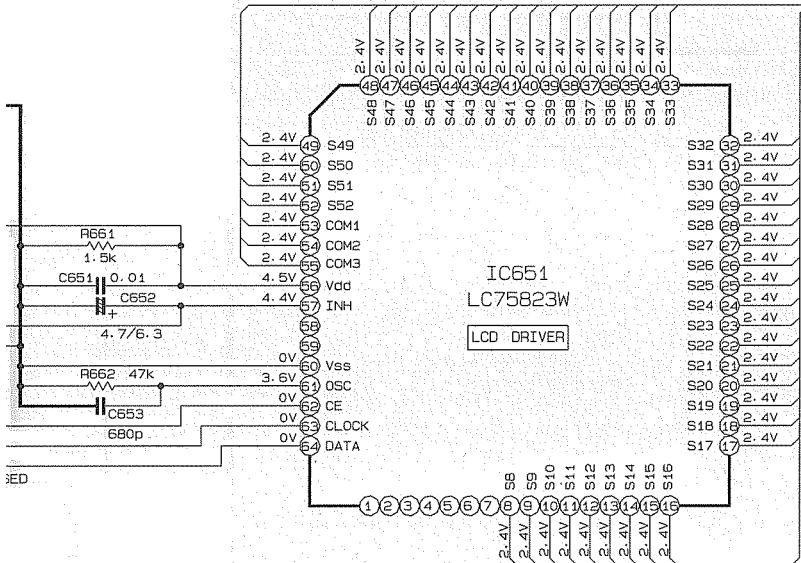
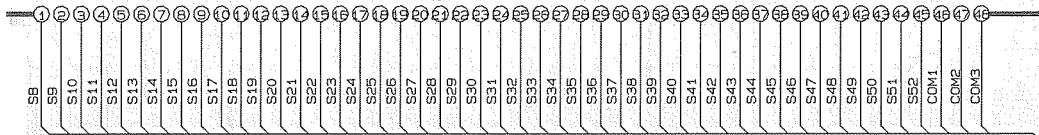
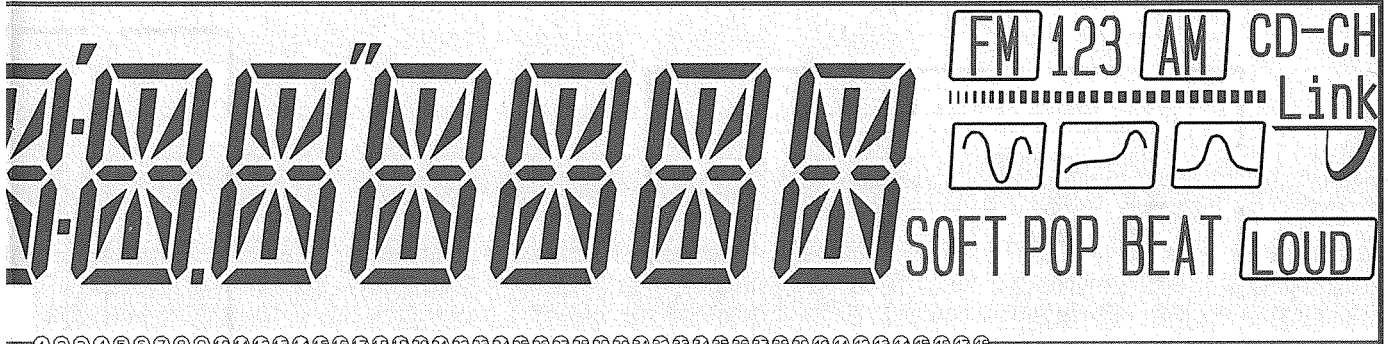
A

B

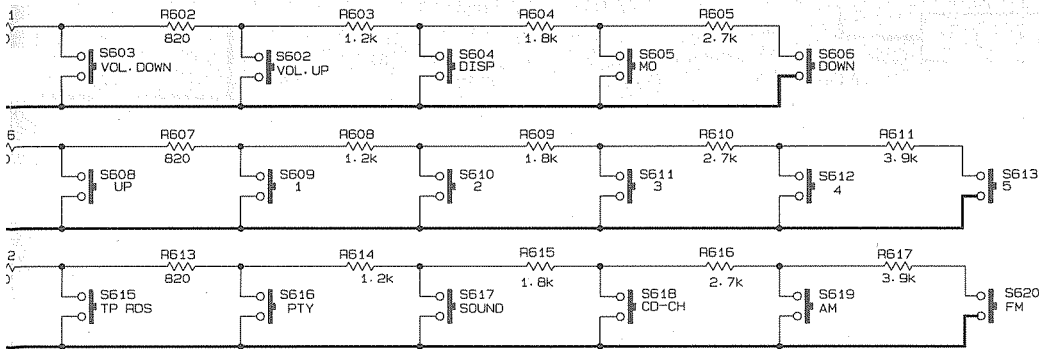
C

2-22

D



MEDELS	KS-F350RE & KS-FX450RE	KS-F353RE & KS-FX453RE
REF_NO.	D601-D622- D624	SML-310DT/KL/-XLED
D623	SML-310LT/MN/-XLED	SML-310LT/MN/-XLED
LAMPS	QLL0070-001	QLL0076-001



S601-S622: QS64B11-V09Y

SW.P.W.B. FSMW1077

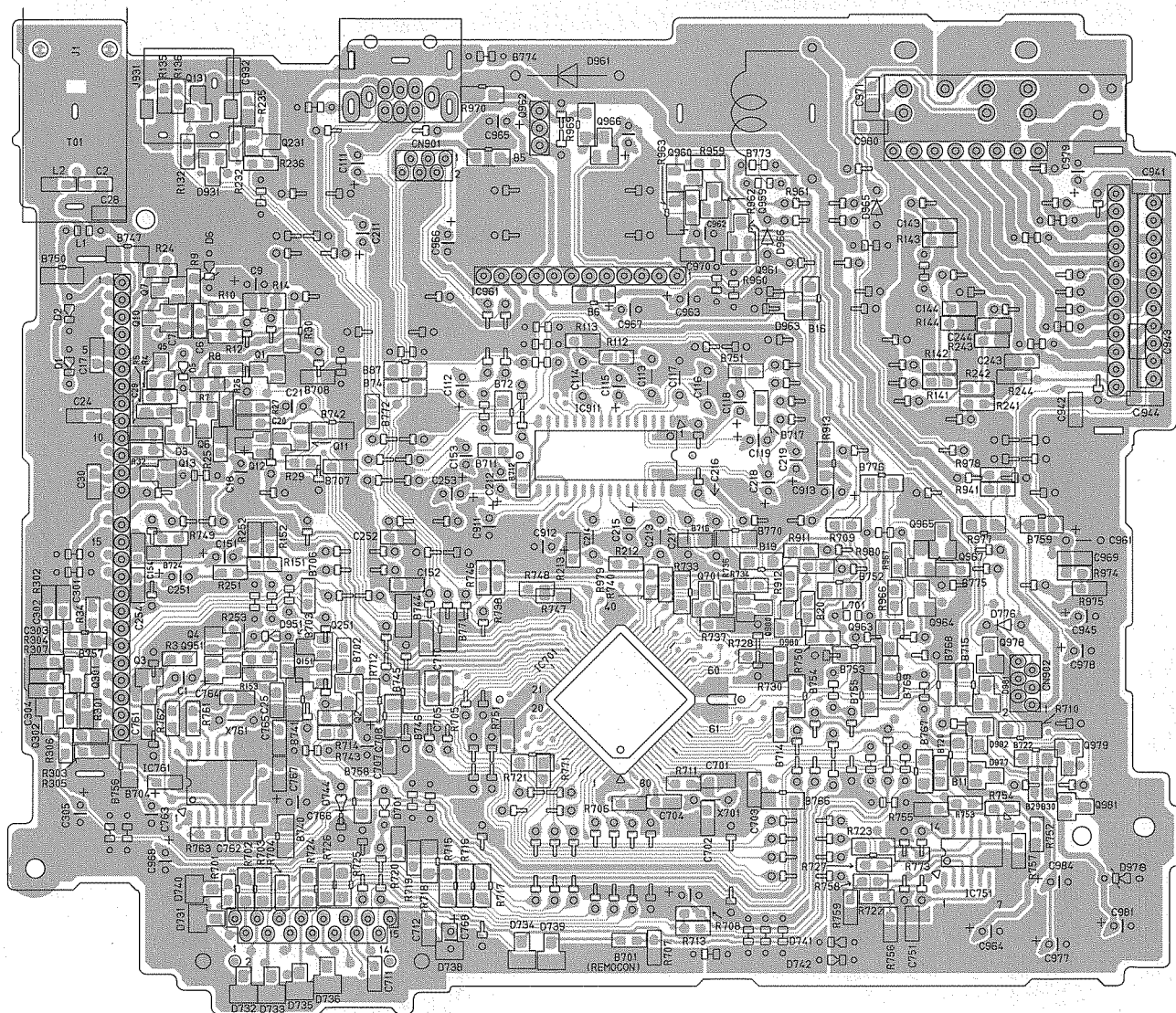
Printed circuit boards

■ Main board

5

4

3

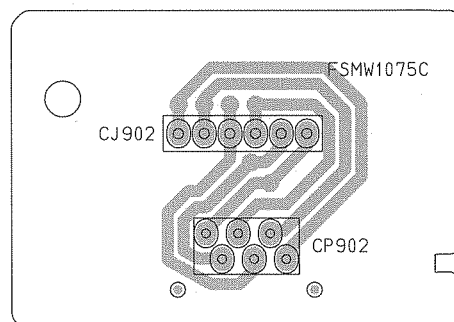
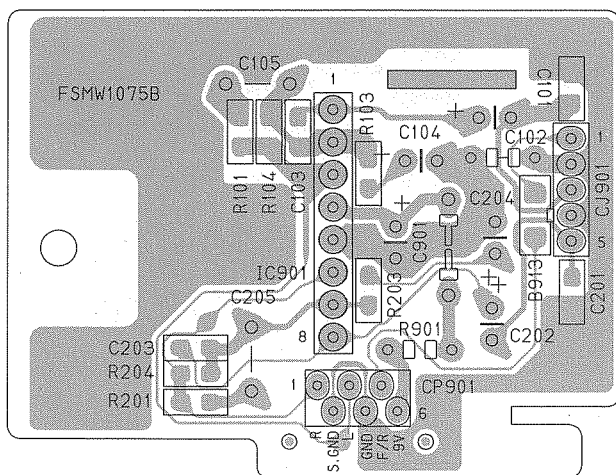


2

■ Head amp board

■ Motor control board

1



A

B

C

PARTS LIST

[KS-F350R/F353R]
[KS-FX450R/FX453R]

* All printed circuit boards and its assemblies are not available as service parts.

Areas suffix

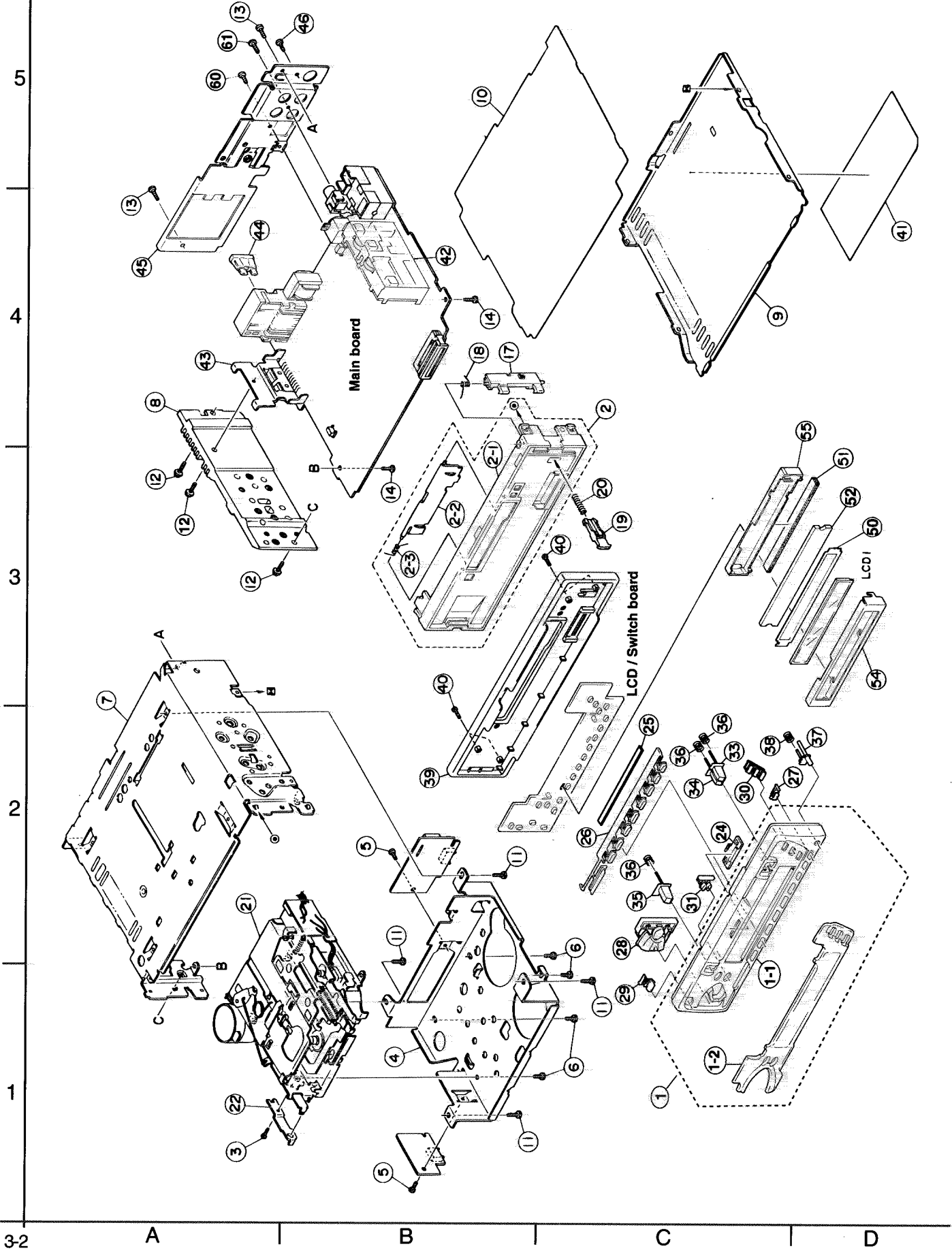
E ----- Continental Europe

- Contents -

Exploded view of general assembly and parts list	3- 2
Cassette mechanism assembly and parts list	3- 5
Electrical parts list	3- 9
Packing materials and accessories parts list	3-15

Exploded view of general assembly and parts list

Block No. M 1 M M



Parts list (General assembly)

Block No. M1MM

Item	Parts number	Parts name	Q'ty	Description	Area
1	ZCKSFX450J-NPA	NOSE PIECE	1	KS-FX450R	
	ZCKSFX453R-NPA	NOSE PIECE	1	KS-FX453R	
	FSJC3013-00C	FRONT PANEL	1	KS-F350R	
	FSJC3013-00D	FRONT PANEL	1	KS-F353R	
1-1	FSJC1053-003	FRONT PANEL	1	KS-FX453R/FX450R	
1-2	FSJD3022-00B	FINDER LENS	1	KS-FX453R	
	FSJD3022-00A	FINDER LENS	1	KS-FX450R	
2	ZCKSFX12J-FB	F.PANEL ASS'Y	1	KS-FX453R/FX450R	
	ZCKSF150J-FB	F.PANEL ASS'Y	1	KS-F353R/F350R	
2-1	FSJC1055-001	FRONT CHASSIS	1		
2-2	FSJC4003-027	CASSETTE LID	1	KS-FX453R/FX450R	
	FSJC4003-029	CASSETTE LID	1	KS-F353R/F350R	
2-3	VKW4947-002	DOOR SPRING	1		
3	QYSPSPT2625Z	MINI SCREW	1		
4	FSKM2005-002	MECHA BRACKET	1		
5	QYSDST2605Z	SCREW	2	PCB+MECHA	
6	QYSDSP2604Z	SCREW	4	MECHA+M.BKT	
7	FSJC1029-015	TOP CHASSIS	1		
8	FSMH3001-001	SIDE PANEL	1		
9	FSKM3011-002	BOTTOM COVER	1		
10	FSMA3004-003	INSULATOR	1		
11	QYSDST2605Z	SCREW	4	CHASSIS+MECHA B	
12	FSKZ4005-001	SCREW	3		
13	QYSDST2606Z	SCREW	2	CHASSIS+REAR BK	
14	QYSDST2606Z	SCREW	2	CHASSIS+MAIN PW	
17	FSKS3010-001	LOCK LEVER	1		
18	FSKW4005-003	TORSION SPRING	1		
19	FSXP3026-002	RLS KNOB	1		
20	FSKW3002-004	COMP.SPRING	1		
21	-----	CASSETTE MECHA	1	MECHA W/O METAL	
22	VKL7821-001	EJECT LEVER	1		
24	FSJK3014-001	LIGHT LENS	1		
25	FSYH4036-031	SHEET	1	PRESET BTN	
26	FSXP2035-052	PRESET BUTTON	1	KS-FX453R/FX450R	
	FSXP2035-050	PRESET BUTTON	1	KS-F353R/F350R	
27	FSXP4005-016	BBE BUTTON	1		
28	FSXP2044-001	COMBO BUTTON	1		
29	FSXP3053-002	POWER BUTTON	1		
30	FSXP2034-037	OPERAT.BUTTON	1	KS-FX453R/FX450R	
	FSXP2034-039	OPERAT.BUTTON	1	KS-F353R/F350R	
31	FSXP3068-002	PUSH BUTTON	1	KS-FX453R/FX450R	
	FSXP3068-004	PUSH BUTTON	1	KS-F353R/F350R	
33	FSXP3066-001	FF BUTTON	1		
34	FSXP3067-001	REW BUTTON	1		
35	FSXP3065-001	EJECT BUTTON	1		
36	FSKW3002-003	COMP. SPRING	3		
37	FSXP3055-001	DETACH BUTTON	1		
38	FSKW3002-012	COMP. SPRING	1	FOR DETACH BUTT	
39	FSJC1054-001	REAR COVER	1		

KS-F350R/F353R/FX450R/FX453R

■ Parts list (General assembly)

Block No. M1MM

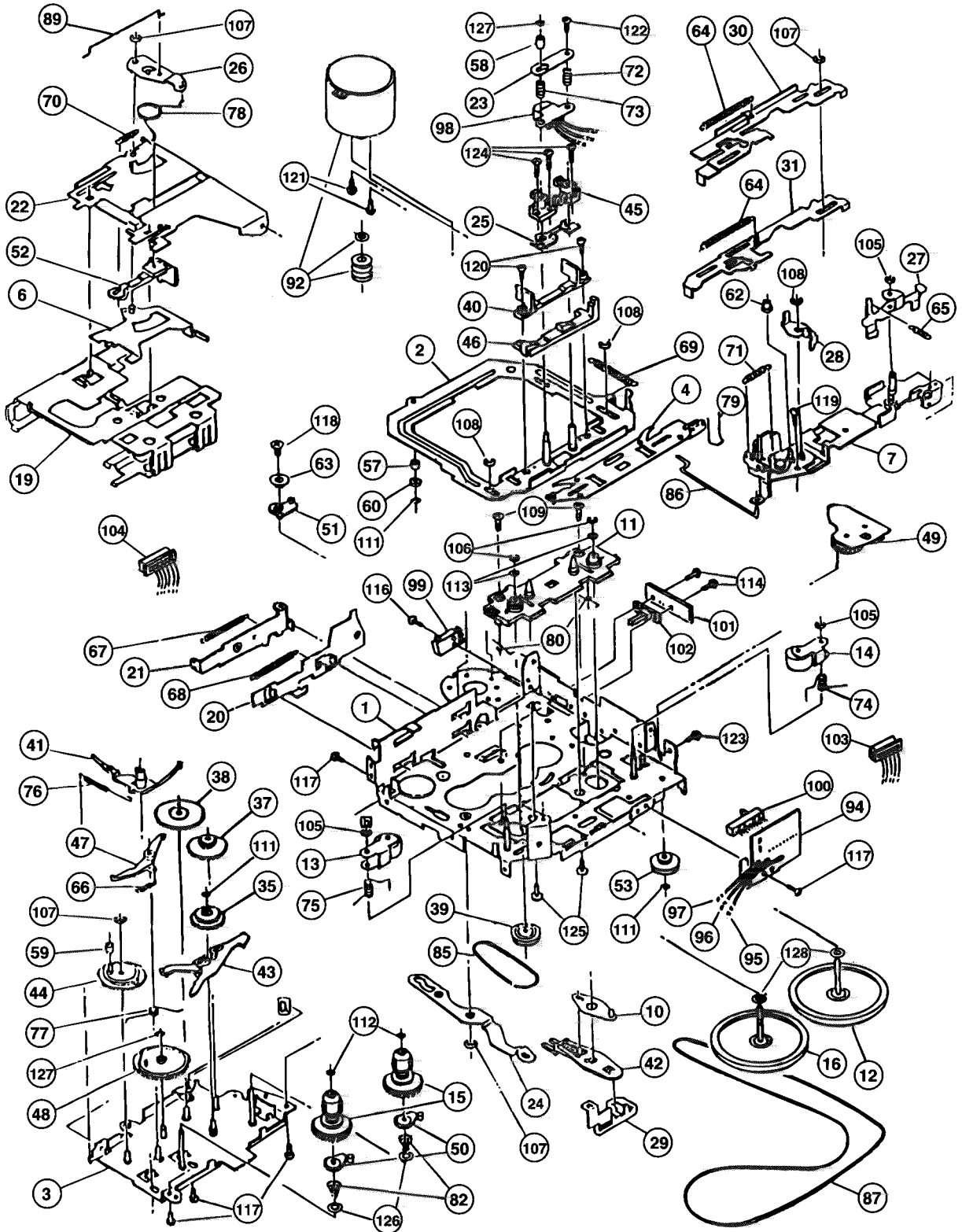
▲	Item	Parts number	Parts name	Q'ty	Description	Area
	40	VKZ4777-001	MINI SCREW	4	F.PANEL+REAR CO	
	41	FSYN3100-D005	NAME PLATE	1	KS-F353R	
		FSYN3101-D005	NAME PLATE	1	KS-FX450R	
		FSYN3102-D005	NAME PLATE	1	KS-FX453R	
		FSYN3099-D005	NAME PLATE	1	KS-F350R	
	42	VMA4652-001SS	EARTH PLATE	1		
	43	FSKL4018-00B	P.W.B.BRACKET	1		
	44	QMFZ021-100-J1	FUSE	1		
	45	FSKM3012-011	REAR BRACKET	1	KS-FX453R/FX450R	
		FSKM3012-012	REAR BRACKET	1	KS-F353R/350R	
	46	QYSDSY2606Z	SCREW	1	REAR BKT+ANT	
	50	FSYH4076-001	LIGHT SHEET	1		
	51	QNZ0439-001	RUBB.CONNECTOR	1		
	52	FSJK3034-001	L.C.D.LENS	1		
	54	FSYH3022-001	L.C.D.CASE	1		
	55	FSKS3021-001	LENS CASE	1		
	60	QYSDSY2606Z	SCREW	1	KS-FX453R/FX450R	
	61	QYSDSY2606Z	SCREW	1	REAR BKT+PIN	
	LCD 1	QLD0099-001	LCD MODULE	1	KS-F353R/350R	
		QLD0122-001	LCD MODULE	1	KS-FX453R/FX450R	

Cassette mechanism assembly and parts list

Block No. M 2 M M

VDL3650-201M

5
4
3
2
1



■ Parts list (Cassette mechanism)

Block No. M2MM

△	Item	Parts number	Parts name	Q'ty	Description	Area
	1	X-0036-1001S	MAIN CHASSIS AS	1		
	2	X-0036-6082S	HEAD PLATE ASSY	1		
	3	X-0036-1009S	REEL BASE ASS'Y	1		
	4	X-0036-1010S	FR CHANGE ARM A	1		
	6	X-0036-1019S	EJ.CAM LOCK ASY	1		
	7	X-0036-6077S	LEVER BKT ASS'Y	1		
	10	X-0036-1025S	FR ARM(A)ASS'Y	1		
	11	X-0138-2006S	CM BKT ASS'Y(X)	1		
	12	1-0036-6010-0S	FLYWHEEL ASY(BF)	1		
	13	1-0138-6002S	PINCH ARM(R)ASS	1		
	14	1-0138-6003S	PINCH ARM(F)ASS	1		
	15	X-0036-6080S	REEL SPINDLE AS	2		
	16	1-0036-6010-1S	FLYWHEEL ASY(BR)	1		
	19	1-0138-1010S	CASSETTE HOLDER	1		
	20	1-0036-1006S	EJECT CAM	1		
	21	1-0036-1007S	EJECT LEVER	1		
	22	1-0138-1002S	CASSETTE HANGER	1		
	23	1-0036-1015S	SPG SUPPORT PLT	1		
	24	1-0036-1016S	CONVERSION LEVE	1		
	25	1-0138-1006S	ADJUSTER SHIN(X)	1		
	26	1-0036-1018S	CENTER PLATE	1		
	27	1-0036-1013S	LOCK ARM	1		
	28	1-0036-1023S	CHANGE LEVER(B)	1		
	29	1-0036-1026S	FR ARM(B)	1		
	30	1-0036-1065S	FF LEVER(JVC)	1		
	31	1-0036-1066S	REW LEVER(JVC)	1		
	35	1-0036-2001S	IDLE GEAR	1		
	37	1-0036-2004-0S	REDUCT.GEAR(A)	1		
	38	1-0036-2003S	REDUCT.GEAR(B)	1		
	39	1-0036-2005-0S	PULLEY GEAR	1		
	40	1-0038-2018S	TAPE GUIDE	1		
	41	1-0036-2007S	RATCHET	1		
	42	1-0036-2008S	FF ARM	1		
	43	1-0036-2009S	SENSOR ARM	1		
	44	1-0036-2010S	SELECTOR GEAR	1		
	45	1-0138-2005-3S	ADJUSTER ARM(B)	1		
	46	1-0138-2004S	ADJUSTER LINC(X)	1		
	47	1-0038-2014S	GEAR LOCK ARM	1		
	48	1-0036-2014S	DETECTOR GEAR	1		
	49	X-0036-2015S	TU GEAR ARM ASY	1		
	50	X-0136-2001S	DETEC. CAM ASSY	2		
	51	1-0038-2034S	MUTE ARM(N)	1		
	52	1-0058-2004S	TAPE HOOKER	1		
	53	1-0058-2021-5S	IDLE PULLEY(A)	1		
	57	1-0036-3024S	HP ROLLER(B)	1		
	58	1-0036-3004S	FF ROLLER	1		
	59	1-0036-3018S	COLLER	1	SELECTOR GEAR	
	60	1-0036-3002S	HP ROLLER(A)	1		

Parts list (Cassette mechanism)

Block No. M2MM

▲	Item	Parts number	Parts name	Q'ty	Description	Area
	62	1-0038-3012S	PROGRAM ROLLER	1		
	63	1-0038-3015S	MUTE ARM COLLER	1		
	64	1-0036-4001S	FF/REW LEVER SP	2		
	65	1-0036-4002S	LOCK LEVER SPG	1		
	66	1-0036-4003S	GEAR LOCK ARM S	1		
	67	1-0036-4004S	EJECT LEVER SPG	1		
	68	1-0036-4005S	EJECT CAM SPG	1		
	69	1-0036-4006S	HEAD PLATE SPG	1		
	70	1-0036-4007S	EJ.CAM LOCK SPG	1		
	71	1-0036-4008S	PROGRAM ARM SPG	1		
	72	1-0036-4010S	ADJUST ARM SP(A)	1		
	73	1-0036-4011S	ADJUST ARM SP(B)	1		
	74	1-0036-4012S	PINCH ARM SPG(F)	1		
	75	1-0036-4013S	PINCH ARM SPG(R)	1		
	76	1-0038-4014S	RATCHET SPG	1		
	77	1-0036-4015S	DASH SPG	1		
	78	1-0036-4023S	CENTER PLT SP(B)	1		
	79	1-0036-4017S	CHANGING ARM SP	1		
	80	1-0036-4018S	EARTH SPG(R)	2		
	82	1-0138-4001S	BACK TENSION SP	2		
	85	1-0036-5001S	SUB BELT	1		
	86	1-0138-5001S	SELECTOR LINK(B)	1		
	87	1-0036-5020S	MAIN BELT(AL)	1		
	89	1-0036-5006S	RETURN LINK	1		
	92	X-0036-6075S	MOTOR ASS'Y	1		
	94	1-0036-7001S	SW PWB	1		
	95	1-0036-7002S	WIRE(A)	1	BLACK 60MM	
	96	1-0036-7003S	WIRE(B)	1	RED 60MM	
	97	1-0036-7004S	WIRE(C)	1	YELLOW 55MM	
	98	1-0036-7016S	HEAD	1	P-7542-CF-0358	
	99	1-0058-7013S	POWER SW	1	MQS-4S	
	100	1-0036-7007S	SLIDE SW	1		
	101	1-0138-7002S	MUTE PWB	1		
	102	1-0138-7087S	MUTE SW	1		
	103	1-0036-7088S	5P WIRE ASY(JVC)	1		
	104	1-0036-7089S	6P WIRE ASY(JVC)	1		
	105	2-1711-5040-16S	E RING	3	1.5	
	106	2-1711-6032-96S	E RING	2	1.6X3.2	
	107	2-1712-0050-16S	E RING	4	2	
	108	2-1712-5060-16S	E RING	3	2.5	
	109	2-1331-7030-C2S	SCREW S	2	PL M1.7X3	
	111	2-1812-0030-D2S	POLY WASHER(S)	3	1.2X3X0.25	
	112	1-0036-5023S	PSW(REEL)	2	1.5X3.2X0.2	
	113	2-1821-0032-21S	PSW	2	2.1X3.2X0.2	
	114	2-1331-7040-C2S	SCREW S	2	PL M1.7X4	
	116	2-1331-7060-C2S	SCREW S	1	PL M1.7X6	
	117	2-1382-0030-C2S	SCREW B	5	PL M2X3	
	118	2-1362-0040-F2S	SCREW B	1	FL M2X4	

■ Parts list (Cassette mechanism)

Block No. M2MM

△	Item	Parts number	Parts name	Q'ty	Description	Area
	119	2-1332-0040-C1S	SCREW S	1	PL M2X4	
	120	2-1032-0070-C2S	SCREW	2	PL M2X7	
	121	2-1032-0025-C2S	SGREW	2	PL M2X2.5	
	122	2-1012-0040-C2S	SCREW	1	PL M2X4	
	123	2-1012-0030-F2S	SCREW	1	FL M2X3	
	124	1-0138-5002S	AZIMUTH SCREW	3	PL M2X5	
	125	1-0036-5005S	EJ HOOK SCREW	2	M2X5	
	126	1-0136-5001S	LMW(RED)	2	2.1X3.5X0.05	
	127	1-0036-5024S	PSW(REEL)	2	1.5X3.2X0.25	
	128	1-0036-5028S	LMW(FLY)	2	2.1X5.5X0.05	

Electrical parts list

■ Electrical parts list (Main board)

Block No. 01

Item	Parts number	Parts name	Remarks	Area	Item	Parts number	Parts name	Remarks	Area
C 1	QERF1HM-104Z	E CAPACITOR	10MF 20% 50V		C 751	NCB21EK-104X	C CAPACITOR	KS-FX453R/FX450R	
C 6	NCB21EK-563X	C CAPACITOR			C 761	NCB21EK-223X	C CAPACITOR		
C 7	NCB21EK-123X	C CAPACITOR			C 762	NCS21HJ-561X	C CAPACITOR		
C 9	QER41AM-227	E CAPACITOR	220MF 20% 10V		C 763	QERF1HM-225Z	E CAPACITOR	2.2MF 20% 50V	
C 17	NCS21HJ-151X	C CAPACITOR			C 764	NDC21HJ-820X	C CAPACITOR		
C 18	QERF1HM-224Z	E CAPACITOR	22MF 20% 50V		C 765	NDC21HJ-470X	C CAPACITOR		
C 20	NCS21HJ-102X	C CAPACITOR			C 766	QER41CM-476	E CAPACITOR	47MF 20% 16V	
C 21	QEQF1HM-225Z	E CAPACITOR	2.2MF 20% 50V		C 767	NCB21HK-103X	C CAPACITOR		
C 24	NCB21EK-473X	C CAPACITOR			C 901	QER41AM-107	E CAPACITOR	100MF 20% 10V	
C 25	NCB21EK-104X	C CAPACITOR			C 911	QER41CM-476	E CAPACITOR	47MF 20% 16V	
C 30	NDC21HJ-470X	C CAPACITOR			C 912	QERF1CM-107Z	E CAPACITOR	100MF 20% 16V	
C 101	NCS21HJ-821X	C CAPACITOR			C 913	QERF1CM-107Z	E CAPACITOR	100MF 20% 16V	
C 102	QERF1HM-474Z	E CAPACITOR	47MF 20% 50V		C 932	NCB21EK-104X	C CAPACITOR		
C 103	NCS21HJ-101X	C CAPACITOR			C 941	NCB21EK-104X	C CAPACITOR		
C 104	QERF0JM-476Z	E CAPACITOR	47MF 20% 6.3V		C 942	NCB21EK-104X	C CAPACITOR		
C 105	QFV61HJ-103Z	TF CAPACITOR	010MF 5% 50V		C 943	NCB21EK-104X	C CAPACITOR		
C 111	QER41HM-105	E CAPACITOR	1.0MF 20% 50V		C 944	NCB21EK-104X	C CAPACITOR		
C 112	QER41HM-105	E CAPACITOR	1.0MF 20% 50V		C 945	QERF1EM-475Z	E CAPACITOR	4.7MF 20% 25V	
C 113	QFLA1HJ-822Z	M CAPACITOR	8200PF 5% 50V		C 961	QETM1CM-226	E CAPACITOR	2200MF 20% 16V	
C 114	QFV61HJ-154Z	TF CAPACITOR	15MF 5% 50V		C 962	QER41CM-106	E CAPACITOR	10MF 20% 16V	
C 115	QERF1HM-224Z	E CAPACITOR	22MF 20% 50V		C 963	QER41CM-106	E CAPACITOR	10MF 20% 16V	
C 116	QFV61HJ-333Z	TF CAPACITOR	033MF 5% 50V		C 964	QER41AM-227	E CAPACITOR	220MF 20% 10V	
C 117	QFLA1HJ-562Z	M CAPACITOR	5600PF 5% 50V		C 965	QER41AM-227	E CAPACITOR	220MF 20% 10V	
C 118	QER41HM-105	E CAPACITOR	1.0MF 20% 50V		C 966	QER41CM-106	E CAPACITOR	10MF 20% 16V	
C 119	QER41HM-105	E CAPACITOR	1.0MF 20% 50V		C 967	QER41CM-106	E CAPACITOR	10MF 20% 16V	
C 143	NCS21HJ-471X	C CAPACITOR			C 969	NCB21EK-473X	C CAPACITOR		
C 144	NCS21HJ-471X	C CAPACITOR			C 970	NCB21EK-473X	C CAPACITOR		
C 151	QER41HM-105	E CAPACITOR	1.0MF 20% 50V		C 971	NCB21EK-104X	C CAPACITOR		
C 152	NCB21HK-122X	C CAPACITOR			C 977	QER41AM-227	E CAPACITOR	220MF 20% 10V	
C 153	QER41HM-105	E CAPACITOR	1.0MF 20% 50V		C 978	QERF1EM-475Z	E CAPACITOR	4.7MF 20% 25V	
C 154	NCB21HK-153X	C CAPACITOR			C 979	QER41CM-106	E CAPACITOR	10MF 20% 16V	
C 201	NCS21HJ-821X	C CAPACITOR			C 980	NCB21HK-473X	C CAPACITOR		
C 202	QERF1HM-474Z	E CAPACITOR	47MF 20% 50V		C 981	QERF0JM-107Z	E CAPACITOR	100MF 20% 6.3V	
C 203	NCS21HJ-101X	C CAPACITOR			C 982	QER41CM-106	E CAPACITOR	10MF 20% 16V	
C 204	QERF0JM-476Z	E CAPACITOR	47MF 20% 6.3V		C 984	QER41AM-227	E CAPACITOR	220MF 20% 10V	
C 205	QFV61HJ-103Z	TF CAPACITOR	010MF 5% 50V		CJ701	VMC0334-001	CONNECTOR		
C 211	QER41HM-105	E CAPACITOR	1.0MF 20% 50V		CJ901	QGA2002C1-05	CONNECTOR		
C 212	QER41HM-105	E CAPACITOR	1.0MF 20% 50V		CJ902	QGA2002F1-06	CONNECTOR		
C 213	QFLA1HJ-822Z	M CAPACITOR	8200PF 5% 50V		CN901	QGB1214J1-06S	CONNECTOR		
C 214	QFV61HJ-154Z	TF CAPACITOR	15MF 5% 50V		CN902	QGB1214J1-06S	CONNECTOR		
C 215	QERF1HM-224Z	E CAPACITOR	22MF 20% 50V		CP901	QGB1214K1-06S	CONNECTOR		
C 216	QFV61HJ-333Z	TF CAPACITOR	033MF 5% 50V		CP902	QGB1214K1-06S	CONNECTOR		
C 217	QFLA1HJ-562Z	M CAPACITOR	5600PF 5% 50V		CP961	QNZ0112-001	CAR CONNECTOR		
C 218	QER41HM-105	E CAPACITOR	1.0MF 20% 50V		D 1	1SS119-041	SI DIODE		
C 219	QER41HM-105	E CAPACITOR	1.0MF 20% 50V		D 2	1SS119-041	SI DIODE		
C 243	NCS21HJ-471X	C CAPACITOR			D 3	MA152WK-X	SI DIODE		
C 244	NCS21HJ-471X	C CAPACITOR			D 5	1SS119-041	SI DIODE		
C 251	QER41HM-105	E CAPACITOR	1.0MF 20% 50V		D 6	MTZJ9.1C-T2	Z DIODE 1M		
C 252	NCB21HK-122X	C CAPACITOR			D 701	1SS119-041	SI DIODE		
C 253	QER41HM-105	E CAPACITOR	1.0MF 20% 50V		D 741	1SS119-041	SI DIODE		
C 254	NCB21HK-153X	C CAPACITOR			D 742	1SS119-041	SI DIODE		
C 301	NCB21HK-331X	C CAPA. C.M	SQ USE		D 744	DSK10C-T1	DIODE		
C 302	NCB21HK-103X	C CAPACITOR	SQ USE		D 776	DSK10C-T1	DIODE		
C 303	NCB21EK-472X	C CAPACITOR	MARKET CLAIM		D 931	MA152WA-X	DIODE		
C 304	NCB21EK-104X	C CAPACITOR	SQ USE		D 951	1SS133-T2	SI DIODE 1M		
C 305	QERF1HM-225Z	E CAPACITOR	SQ USE		D 961	1N5401-TU-15	DIODE		
C 701	NDC21HJ-270X	C CAPACITOR			D 963	MA152WA-X	DIODE		
C 702	NDC21HJ-270X	C CAPACITOR			D 965	DSK10C-T1	DIODE		
C 703	NCB21EK-104X	C CAPACITOR			D 966	DSK10C-T1	DIODE		
C 704	NCB21EK-104X	C CAPACITOR			D 977	MA152WK-X	SI DIODE		
C 705	NCB21EK-103X	C CAPACITOR			D 978	MTZJ11B-T2	ZENER DIODE		
C 707	NCB21EK-104X	C CAPACITOR			D 980	MA152WA-X	DIODE		
C 708	QER41AM-227	E CAPACITOR	220MF 20% 10V		D 981	MA152WA-X	DIODE		
C 709	QERF0JM-107Z	E CAPACITOR	100MF 20% 6.3V		D 982	MA152WK-X	SI DIODE		
C 710	NCS21HJ-121X	C CAPACITOR			IC701	UPD178016AGC5	IC		
C 711	NCB21CK-224X	C CAPACITOR			IC751	HD74HC126FP-X	IC	KS-FX453R/FX450R	
C 712	NCB21HK-104X	C CAPACITOR			IC761	SAA6579T-X	IC		

KS-F350R/F353R/FX450R/FX453R

■ Electrical parts list (Main board)

Block No. 01

Item	Parts number	Parts name	Remarks	Area	Item	Parts number	Parts name	Remarks	Area
IC901	UPC1228HA	IC			R 143	NRSA02J-393X	MG RESISTOR		
IC911	TEA6320T-X	IC			R 144	NRSA02J-393X	MG RESISTOR		
IC941	HA13158A	IC			R 151	NRSA02J-103X	MG RESISTOR		
IC961	AN80T05LF	IC			R 152	NRSA02J-223X	MG RESISTOR		
J 1	QNZ0009-001	CAR ANT JACK			R 153	NRSA02J-472X	MG RESISTOR		
J 751	QNZ0095-001	CONNECTOR	KS-FX453R/FX450R		R 201	NRSA02J-153X	MG RESISTOR		
J 931	QNN0183-001	PIN JACK			R 203	NRSA02J-101X	MG RESISTOR		
L 1	QQL231K-4R7Y	INDUCTOR			R 204	NRSA02J-334X	MG RESISTOR		
L 701	QQL231K-470Y	INDUCTOR			R 212	NRSA02J-223X	MG RESISTOR		
L 961	QQR0528-002	CHOKE COIL			R 213	NRSA02J-222X	MG RESISTOR		
Q 1	DTC114EKA-X	TRANSISTOR			R 232	NRSA02J-222X	MG RESISTOR		
Q 2	DTC114EKA-X	TRANSISTOR			R 235	NRSA02J-101X	MG RESISTOR		
Q 3	2SC2412K/R/-X	TRANSISTOR			R 236	NRSA02J-102X	MG RESISTOR		
Q 4	DTA114EKA-X	DIGITAL TRANSIS			R 241	NRSA02J-153X	MG RESISTOR		
Q 5	2SA1037AK/RS/-X	TRANSISTOR			R 242	NRSA02J-153X	MG RESISTOR		
Q 6	2SA1037AK/RS/-X	TRANSISTOR			R 243	NRSA02J-393X	MG RESISTOR		
Q 7	2SC3661-X	TRANSISTOR			R 244	NRSA02J-393X	MG RESISTOR		
Q 10	2SC3661-X	TRANSISTOR			R 251	NRSA02J-103X	MG RESISTOR		
Q 11	2SC2412K/R/-X	TRANSISTOR			R 252	NRSA02J-223X	MG RESISTOR		
Q 12	2SC2412K/R/-X	TRANSISTOR			R 253	NRSA02J-472X	MG RESISTOR		
Q 131	2SC2412K/R/-X	TRANSISTOR			R 301	NRSA02J-473X	MG RESISTOR	SQ USE	
Q 151	2SC2412K/R/-X	TRANSISTOR			R 302	NRSA02J-473X	MG RESISTOR	SQ USE	
Q 231	2SC2412K/R/-X	TRANSISTOR			R 303	NRSA02J-103X	MG RESISTOR	SQ USE	
Q 251	2SC2412K/R/-X	TRANSISTOR			R 304	NRSA02J-222X	MG RESISTOR	SQ USE	
Q 301	2SD601A/R/-X	TRANSISTOR	SQ USE		R 305	NRSA02J-153X	MG RESISTOR	SQ USE	
Q 302	2SD601A/R/-X	TRANSISTOR	SQ USE		R 306	NRSA02J-471X	MG RESISTOR	SQ USE	
Q 701	2SC2412K/R/-X	TRANSISTOR			R 307	NRSA02J-103X	MG RESISTOR	SQ USE	
Q 951	DTA114EKA-X	DIGITAL TRANSIS			R 701	NRSA02J-271X	MG RESISTOR		
Q 959	DTC114EKA-X	TRANSISTOR			R 702	NRS181J-271X	MG RESISTOR		
Q 960	2SA1037AK/RS/-X	TRANSISTOR			R 703	NRS181J-271X	MG RESISTOR		
Q 961	2SA1037AK/RS/-X	TRANSISTOR			R 704	NRSA02J-271X	MG RESISTOR		
Q 962	2SB1322/RS/-T	TRANSISTOR			R 705	NRSA02J-103X	MG RESISTOR		
Q 963	2SA1037AK/RS/-X	TRANSISTOR			R 706	NRSA02J-473X	MG RESISTOR		
Q 964	DTC114EKA-X	TRANSISTOR			R 708	NRSA02J-104X	MG RESISTOR		
Q 965	DTC114EKA-X	TRANSISTOR			R 709	NRSA02J-104X	MG RESISTOR		
Q 966	DTC114EKA-X	TRANSISTOR			R 710	NRS181J-103X	MG RESISTOR		
Q 967	2SA1037AK/RS/-X	TRANSISTOR			R 711	NRSA02J-391X	MG RESISTOR		
Q 978	DTC114EKA-X	TRANSISTOR			R 712	NRS181J-103X	MG RESISTOR		
Q 979	DTA114EKA-X	DIGITAL TRANSIS			R 713	NRSA02J-103X	MG RESISTOR		
Q 980	DTC114EKA-X	TRANSISTOR			R 715	NRS181J-103X	MG RESISTOR		
Q 981	DTA114EKA-X	DIGITAL TRANSIS			R 716	NRS181J-103X	MG RESISTOR		
R 3	NRSA02J-472X	MG RESISTOR			R 717	NRS181J-103X	MG RESISTOR		
R 4	NRSA02J-473X	MG RESISTOR			R 718	NRS181J-472X	MG RESISTOR		
R 5	NRSA02J-332X	MG RESISTOR			R 719	NRSA02J-472X	MG RESISTOR		
R 7	NRSA02J-473X	MG RESISTOR			R 720	NRSA02J-472X	MG RESISTOR		
R 8	NRSA02J-472X	MG RESISTOR			R 721	NRS181J-472X	MG RESISTOR		
R 9	NRSA02J-102X	MG RESISTOR			R 722	NRSA02J-472X	MG RESISTOR		
R 10	NRSA02J-392X	MG RESISTOR			R 723	NRS181J-472X	MG RESISTOR		
R 12	NRSA02J-102X	MG RESISTOR			R 724	NRS181J-472X	MG RESISTOR		
R 14	NRS181J-471X	MG RESISTOR			R 725	NRS181J-472X	MG RESISTOR		
R 24	NRSA02J-102X	MG RESISTOR			R 726	NRS181J-472X	MG RESISTOR		
R 25	NRSA02J-102X	MG RESISTOR			R 727	NRSA02J-472X	MG RESISTOR		
R 26	NRSA02J-103X	MG RESISTOR			R 733	NRS181J-472X	MG RESISTOR		
R 27	NRSA02J-102X	MG RESISTOR			R 734	NRSA02J-472X	MG RESISTOR		
R 29	NRSA02J-152X	MG RESISTOR			R 736	NRSA02J-103X	MG RESISTOR		
R 30	NRS181J-120X	MG RESISTOR			R 737	NRSA02J-473X	MG RESISTOR		
R 34	NRSA02J-223X	MG RESISTOR			R 738	NRSA02J-473X	MG RESISTOR		
R 101	NRSA02J-153X	MG RESISTOR			R 740	NRSA02J-473X	MG RESISTOR		
R 103	NRSA02J-101X	MG RESISTOR			R 743	NRSA02J-103X	MG RESISTOR	SQ USE	
R 104	NRSA02J-334X	MG RESISTOR			R 746	NRSA02J-473X	MG RESISTOR		
R 112	NRSA02J-223X	MG RESISTOR			R 748	NRSA02J-473X	MG RESISTOR	INTL RES...	
R 113	NRSA02J-222X	MG RESISTOR			R 750	NRSA02J-473X	MG RESISTOR	INTL RES...	
R 132	NRSA02J-222X	MG RESISTOR			R 751	NRSA02J-104X	MG RESISTOR		
R 135	NRSA02J-101X	MG RESISTOR			R 752	NRSA02J-334X	MG RESISTOR		
R 136	NRSA02J-102X	MG RESISTOR			R 753	NRSA02J-223X	MG RESISTOR		
R 141	NRSA02J-153X	MG RESISTOR			R 754	NRSA02J-101X	MG RESISTOR	KS-FX453R/FX450 R	
R 142	NRSA02J-153X	MG RESISTOR			R 755	NRSA02J-103X	MG RESISTOR	KS-FX453R/FX450 R	

■ Electrical parts list (Main board)

Block No. 01

A	Item	Parts number	Parts name	Remarks	Area
	R 756	NRSA02J-104X	MG RESISTOR	KS-FX453R/FX450 R	
	R 757	NRSA02J-104X	MG RESISTOR		
	R 758	NRSA02J-101X	MG RESISTOR	KS-FX453R/FX450 R	
	R 759	NRSA02J-334X	MG RESISTOR		
	R 761	NRSA02J-222X	MG RESISTOR		
	R 762	NRSA02J-222X	MG RESISTOR		
	R 763	NRSA02J-222X	MG RESISTOR		
	R 773	NRSA02J-473X	MG RESISTOR		
	R 911	NRSA02J-271X	MG RESISTOR		
	R 912	NRSA02J-271X	MG RESISTOR		
	R 913	NRS181J-100X	MG RESISTOR		
	R 941	NRSA02J-473X	MG RESISTOR		
	R 959	NRSA02J-222X	MG RESISTOR		
	R 960	NRSA02J-273X	MG RESISTOR		
	R 961	QRE141J-470Y	C RESISTOR	47 5%-1/4W	
	R 962	NRSA02J-682X	MG RESISTOR		
	R 963	NRS181J-123X	MG RESISTOR		
	R 966	NRSA02J-473X	MG RESISTOR		
	R 967	NRSA02J-222X	MG RESISTOR		
	R 969	NRS181J-222X	MG RESISTOR		
	R 970	NRS181J-473X	MG RESISTOR		
	R 974	NRSA02J-123X	MG RESISTOR		
	R 975	NRSA02J-243X	MG RESISTOR		
	R 977	NRS181J-181X	MG RESISTOR		
	R 978	NRSA02J-473X	MG RESISTOR		
	R 979	NRSA02J-473X	MG RESISTOR		
	R 980	NRSA02J-102X	MG RESISTOR		
	TU 1	QAU0156-001	TUNER		
	X 701	QAX0406-001Z	CRYSTAL		
	X 761	QAX0263-001Z	CRYSTAL		

KS-F350R/F353R/FX450R/FX453R

■ Electrical parts list (LCD / Switch board) Block No. 02

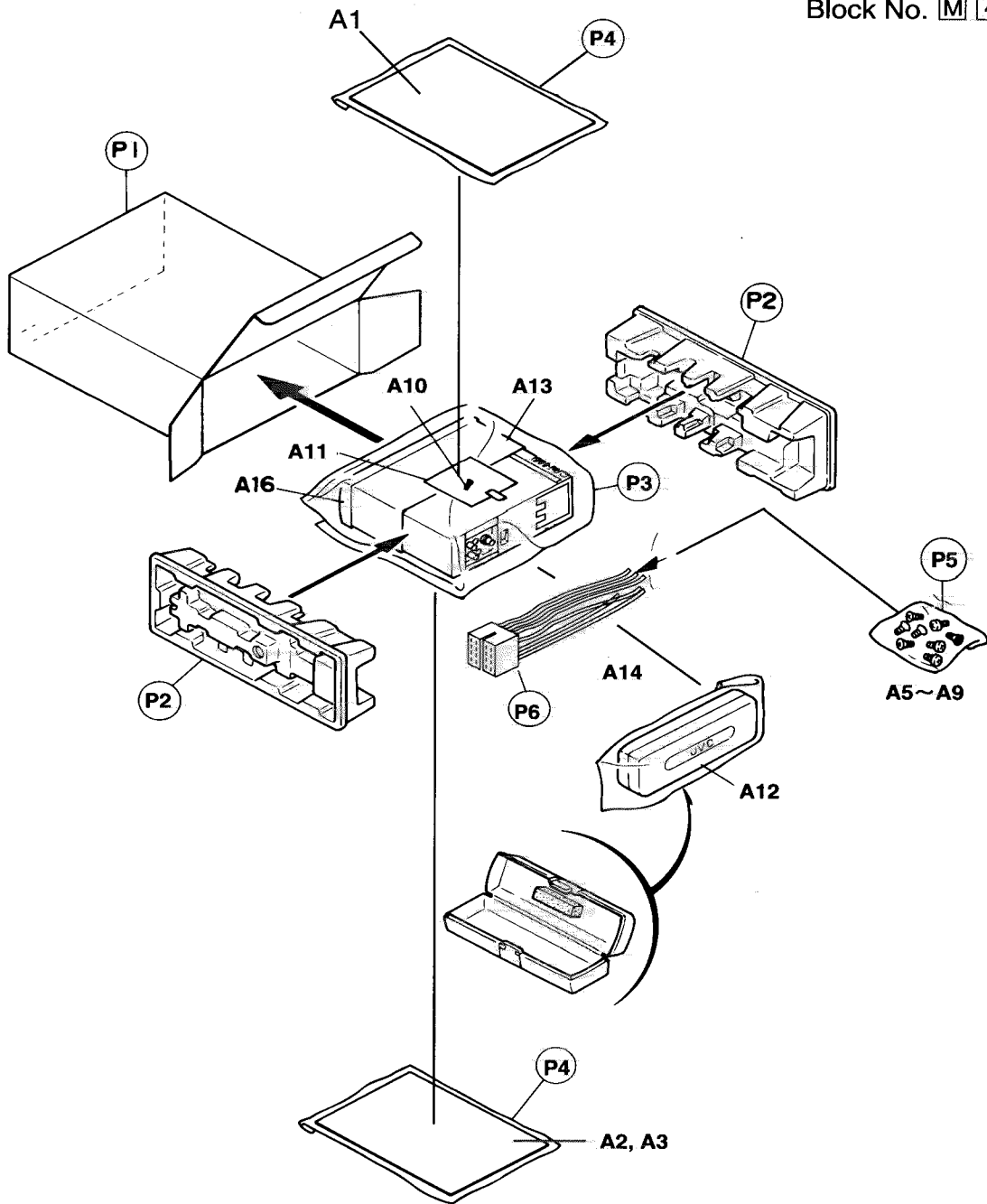
△	Item	Parts number	Parts name	Remarks	Area	△	Item	Parts number	Parts name	Remarks	Area
	C 651	NCB21EK-103X	C CAPACITOR				R 622	NRSA02J-332X	MG RESISTOR		
	C 652	NBE20JM-475X	TS E CAPACITOR				R 623	NRSA02J-332X	MG RESISTOR		
	C 653	NCB21HK-681X	C CAPACITOR				R 632	NRSA02J-821X	MG RESISTOR		
	CP70	VMC0335-001	CONNECTOR				R 633	NRSA02J-821X	MG RESISTOR		
	D 601	SML-310DT/KL-X	LED	KS-FX453R/F353R			R 640	NRSA02J-331X	MG RESISTOR		
	D 601	LNJ308G81/1-3/X	LED	KS-FX450R/F350R			R 641	NRSA02J-331X	MG RESISTOR		
	D 602	LNJ308G81/1-3/X	LED	KS-FX450R/F350R			R 642	NRSA02J-821X	MG RESISTOR		
	D 602	SML-310DT/KL-X	LED	KS-FX453R/F353R			R 644	NRSA02J-821X	MG RESISTOR		
	D 603	SML-310DT/KL-X	LED	KS-FX453R/F353R			R 646	NRSA02J-821X	MG RESISTOR		
	D 603	LNJ308G81/1-3/X	LED	KS-FX450R/F350R			R 648	NRSA02J-821X	MG RESISTOR		
	D 604	LNJ308G81/1-3/X	LED	KS-FX450R/F350R			R 650	NRSA02J-511X	MG RESISTOR		
	D 604	SML-310DT/KL-X	LED	KS-FX453R/F353R			R 651	NRSA02J-511X	MG RESISTOR		
	D 605	SML-310DT/KL-X	LED	KS-FX453R/F353R			R 661	NRSA02J-152X	MG RESISTOR		
	D 605	LNJ308G81/1-3/X	LED	KS-FX450R/F350R			R 662	NRSA02J-473X	MG RESISTOR		
	D 609	LNJ308G81/1-3/X	LED	KS-FX450R/F350R			R 663	NRSA02J-154X	MG RESISTOR		
	D 609	SML-310DT/KL-X	LED	KS-FX453R/F353R			S 601	NSW0066-001X	TACT SW		
	D 610	SML-310DT/KL-X	LED	KS-FX453R/F353R			S 602	NSW0066-001X	TACT SW		
	D 610	LNJ308G81/1-3/X	LED	KS-FX450R/F350R			S 603	NSW0066-001X	TACT SW		
	D 611	LNJ308G81/1-3/X	LED	KS-FX450R/F350R			S 604	NSW0066-001X	TACT SW		
	D 611	SML-310DT/KL-X	LED	KS-FX453R/F353R			S 605	NSW0066-001X	TACT SW		
	D 612	SML-310DT/KL-X	LED	KS-FX453R/F353R			S 606	NSW0066-001X	TACT SW		
	D 612	LNJ308G81/1-3/X	LED	KS-FX450R/F350R			S 607	NSW0066-001X	TACT SW		
	D 613	LNJ308G81/1-3/X	LED	KS-FX450R/F350R			S 608	NSW0066-001X	TACT SW		
	D 613	SML-310DT/KL-X	LED	KS-FX453R/F353R			S 609	NSW0066-001X	TACT SW		
	D 614	SML-310DT/KL-X	LED	KS-FX453R/F353R			S 610	NSW0066-001X	TACT SW		
	D 614	LNJ308G81/1-3/X	LED	KS-FX450R/F350R			S 611	NSW0066-001X	TACT SW		
	D 615	LNJ308G81/1-3/X	LED	KS-FX450R/F350R			S 612	NSW0066-001X	TACT SW		
	D 615	SML-310DT/KL-X	LED	KS-FX453R/F353R			S 613	NSW0066-001X	TACT SW		
	D 616	SML-310DT/KL-X	LED	KS-FX453R/F353R			S 614	NSW0066-001X	TACT SW		
	D 616	LNJ308G81/1-3/X	LED	KS-FX450R/F350R			S 615	NSW0066-001X	TACT SW		
	D 618	LNJ308G81/1-3/X	LED	KS-FX450R/F350R			S 616	NSW0066-001X	TACT SW		
	D 618	SML-310DT/KL-X	LED	KS-FX453R/F353R			S 617	NSW0066-001X	TACT SW		
	D 619	SML-310DT/KL-X	LED	KS-FX453R/F353R			S 618	NSW0066-001X	TACT SW		
	D 619	LNJ308G81/1-3/X	LED	KS-FX450R/F350R			S 619	NSW0066-001X	TACT SW		
	D 620	LNJ308G81/1-3/X	LED	KS-FX450R/F350R			S 620	NSW0066-001X	TACT SW		
	D 620	SML-310DT/KL-X	LED	KS-FX453R/F353R							
	D 621	SML-310DT/KL-X	LED	KS-FX453R/F353R							
	D 621	LNJ308G81/1-3/X	LED	KS-FX450R/F350R							
	D 622	LNJ308G81/1-3/X	LED	KS-FX450R/F350R							
	D 622	SML-310DT/KL-X	LED	KS-FX453R/F353R							
	D 623	SML-310LT/MN-X	LED								
	D 624	SML-310DT/KL-X	LED	KS-FX453R/F353R							
	D 624	LNJ308G81/1-3/X	LED	KS-FX450R/F350R							
	D 654	MA152WK-X	SI DIODE								
	IC651	LC75823W	IC								
	PL601	QLL0076-001	PILOT LAMP	KS-FX453R/F353R							
	PL601	QLL0070-001	PILOT LAMP	KS-FX450R/F350R							
	PL603	QLL0070-001	PILOT LAMP	KS-FX450R/F350R							
	PL603	QLL0076-001	PILOT LAMP	KS-FX453R/F353R							
	R 601	NRSA02J-561X	MG RESISTOR								
	R 602	NRSA02J-821X	MG RESISTOR								
	R 603	NRSA02J-122X	MG RESISTOR								
	R 604	NRSA02J-182X	MG RESISTOR								
	R 605	NRSA02J-272X	MG RESISTOR								
	R 606	NRSA02J-561X	MG RESISTOR								
	R 607	NRSA02J-821X	MG RESISTOR								
	R 608	NRSA02J-122X	MG RESISTOR								
	R 609	NRSA02J-182X	MG RESISTOR								
	R 610	NRSA02J-272X	MG RESISTOR								
	R 611	NRSA02J-392X	MG RESISTOR								
	R 612	NRSA02J-561X	MG RESISTOR								
	R 613	NRSA02J-821X	MG RESISTOR								
	R 614	NRSA02J-122X	MG RESISTOR								
	R 615	NRSA02J-182X	MG RESISTOR								
	R 616	NRSA02J-272X	MG RESISTOR								
	R 617	NRSA02J-392X	MG RESISTOR								
	R 621	NRSA02J-332X	MG RESISTOR								






-MEMO-



Packing materials and accessories parts list

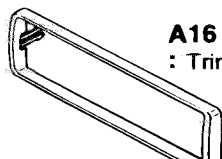
Block No. M 3 M M

Block No. M 4 M M



SCREW KIT 1	
	A9 Hook
	A6 Mount Bolt
	A7 Lock Nut
	A5 Plug Nut
	A8 Washer

SCREW KIT 2	
	A10 Screw
	A11 Sheet

	A16 : Trim Plate
---	----------------------------

**KS-F350R/KS-F353R
KS-FX450R/KS-FX453R**

■ **Packing parts list**

Block No. M3MM

△	Item	Parts number	Parts name	Q'ty	Description	Area
	P 1	FSPE3004-046	PACKING CASE	1	KS-F350R	
		FSPE3004-047	PACKING CASE	1	KS-F353R	
		FSPE3004-048	PACKING CASE	1	KS-FX450R	
		FSPE3004-049	PACKING CASE	1	KS-FX453R	
	P 2	FSPH1018-002	PAPER CUSHION	2	LEFT/RIGHT SIDE	
	P 3	VPE3005-064	POLY BAG	1		
	P 4	QPA01703505P	POLY BAG	2	INST.BOOK	
	P 5	QPA00801205	POLY BAG	1		
	P 6	QPA01003003	POLY BAG	1		

■ **Accessories parts list**

Block No. M4MM

△	Item	Parts number	Parts name	Q'ty	Description	Area
	A 1	FSUN3101-311	INST.BOOK	1	ENG,GER,FRE,DUT	
		FSUN3101-321	INST.BOOK	1	SPA,ITA,SWE	
	A 2	FSUN3101-T211	INSTALL MANUAL	1	ENG,GER,FRE	
		FSUN3101-T451	INSTALL MANUAL	1	DUT,SPA,ITA	
		FSUN3101-T481	INSTALL MANUAL	1	SWE,FIN	
	A 3	BT-54013-1	WARRANTY CARD	1		
	A 5	VKZ4027-202	PLUG NUT	1		
	A 6	VKH4871-001SS	MOUNT BOLT	1		
	A 7	VKZ4328-001	LOCK NUT	1	FOR M5	
	A 8	WNS5000Z	WASHER	1		
	A 9	FSKL4010-002	HOOK	2		
	A 10	VKZ4777-001	MINI SCREW	1	THEFT PREVENTIO	
	A 11	FSYA4001-001	SHEET	1		
	A 12	FSJB3002-00A	HARD CASE	1		
	A 13	FSKM2004-202	MOUNTING SLEEVE	1		
	A 14	QAM0175-001	POWER CORD	1		
	A 16	FSJD2034-001	TRIM PLATE	1		
	KIT 1	KDGS717K-SCREW1	SCREW PARTS KIT	1	A5-A9	
	KIT 2	KDGS727J-SCREW2	SCREW PARTS KIT	1	A10,A11	


KS-F350R/KS-F353R
KS-FX450R/KS-FX453R

JVC

VICTOR COMPANY OF JAPAN, LIMITED

MOBILE ELECTRONICS DIVISION, 10-1, 1chome, Ohwatari-machi, maebashi-city, Japan

(No.49526)

 Printed in Japan
9912(V)